



BillyOh Master Tongue and Groove Apex 6ft Gables Windowed Buildings Component Identification



For Queries and Help
please call Product
Support:
01636 858377



In association with

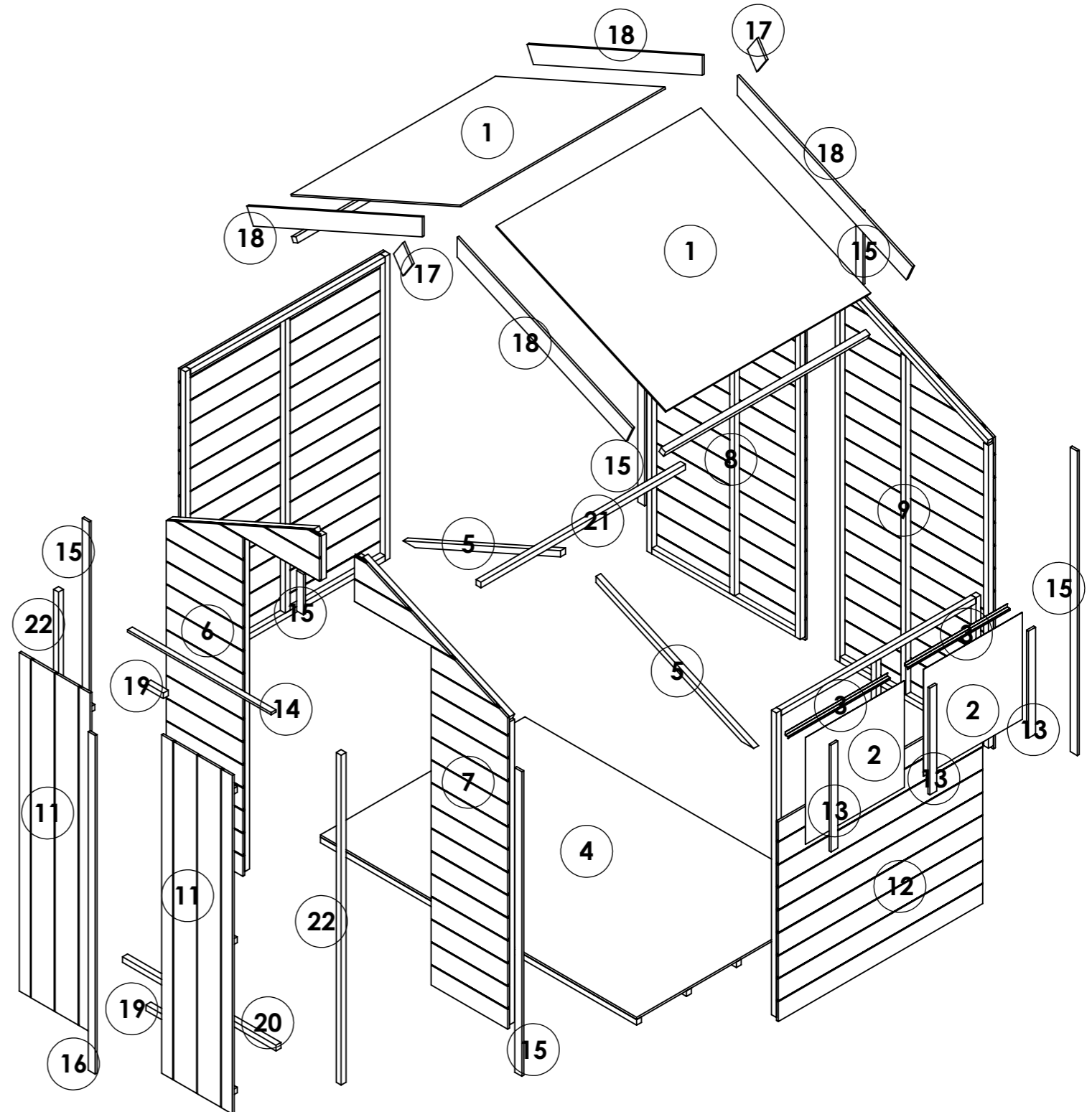


PROPRIETARY AND CONFIDENTIALITY

All the information contained within this document including all technical data, dimensions, shape/form and branding (inc. Trademarks, logos, etc.) Is the sole property of Kybotech Limited. The reproduction and/or disclosure to any third party of any information contained within this document is strictly prohibited. Breaches of the copyright will be dealt with on the highest level of severity with immediate legal proceedings.

4x6 Master Tongue and Groove Windowed Apex

ITEM NO.	Part Name - ID/Code - Name	QTY.
1	14428-Roof Apex 8mm SS W1.172xH1.064m	2
2	14447-Glazing 1.2mm Styrene Fixed Window W0.566xH0.530m	2
3	14449-Window Sill Black L0.586m	2
4	14589-Floor ASM Solid Sheet W1.172xH1.812m	1
5	25406-Roof Support 6ft Treated L0.99m	2
6	25425-Section 11mm TG 6ft Gable Door Left U1511 W0.879xH1.912m	1
7	25426-Section 11mm TG 6ft Gable Door Right U1511 W0.879xH1.912	1
8	25427-Section 11mm TG 6ft Gable Plain Left U1511 W0.879xH1.912m	1
9	25428-Section 11mm TG 6ft Gable Plain Right U1511 W0.879xH1.912m	1
10	25434-Section 11mm TG 4ft Panel Plain U1511 W1.172xH1.523m	1
11	25436-Door Double 11mm TG W0.405xH1.680m	2
12	25555-Section 11mm TG 4ft Panel Fixed Window U1511 W1.172xH1.523m	1
13	CL-0530-40RS- Window Cloak	3
14	CL-0823-28RS- Door Head	1
15	CL-1511-40RS- Panel Cloak	7
16	CL-1680-40RS- Door Cloak	1
17	FB-0138-90RS- Finial	2
18	FB-1100-90RS- Fascia Board	4
19	FR-0100-SQ- Door Block	2
20	FR-0879-SQ- Door Threshold	1
21	FR-1172-SQ- Purlin	3
22	FR-1637-SQ- Door Upright	2

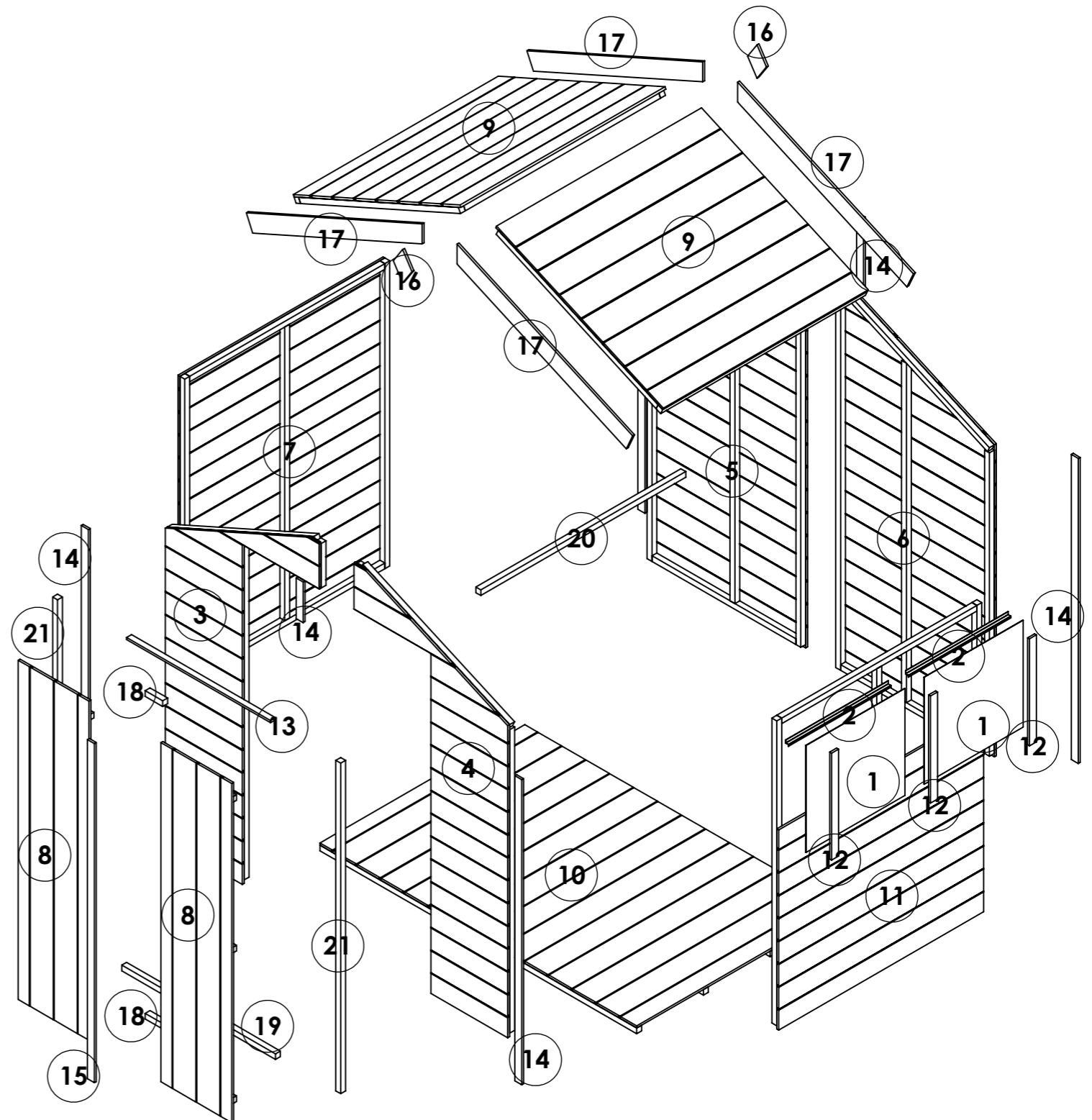


OPTIONS:

Floor: **Solid Sheet**
 Roof: **Solid Sheet**
 Truss: **Solid Sheet**

4x6 Master Tongue and Groove Windowed Apex

ITEM NO.	Part Name - ID/Code - Name	QTY.
1	14447-Glazing 1.2mm Styrene Fixed Window W0.566xH0.530m	2
2	14449-Window Sill Black L0.586m	2
3	25425-Section 11mm TG 6ft Gable Door Left U1511 W0.879xH1.912m	1
4	25426-Section 11mm TG 6ft Gable Door Right U1511 W0.879xH1.912m	1
5	25427-Section 11mm TG 6ft Gable Plain Left U1511 W0.879xH1.912m	1
6	25428-Section 11mm TG 6ft Gable Plain Right U1511 W0.879xH1.912m	1
7	25434-Section 11mm TG 4ft Panel Plain U1511 W1.172xH1.523m	1
8	25436-Door Double 11mm TG W0.405xH1.680m	2
9	25440-Roof Apex 11mm TG W1.172xH1.044m	2
10	25451-Floor ASM 11mm TG W1.172xH1.812m	1
11	25555-Section 11mm TG 4ft Panel Fixed Window U1511 W1.172xH1.523m	1
12	CL-0530-40RS- Window Cloak	3
13	CL-0823-28RS- Door Head	1
14	CL-1511-40RS- Panel Cloak	7
15	CL-1680-40RS- Door Cloak	1
16	FB-0138-90RS- Finial	2
17	FB-1100-90RS- Fascia Board	4
18	FR-0100-SQ- Door Block	2
19	FR-0879-SQ- Door Threshold	1
20	FR-1172-SQ- Purlin	1
21	FR-1637-SQ- Door Upright	2

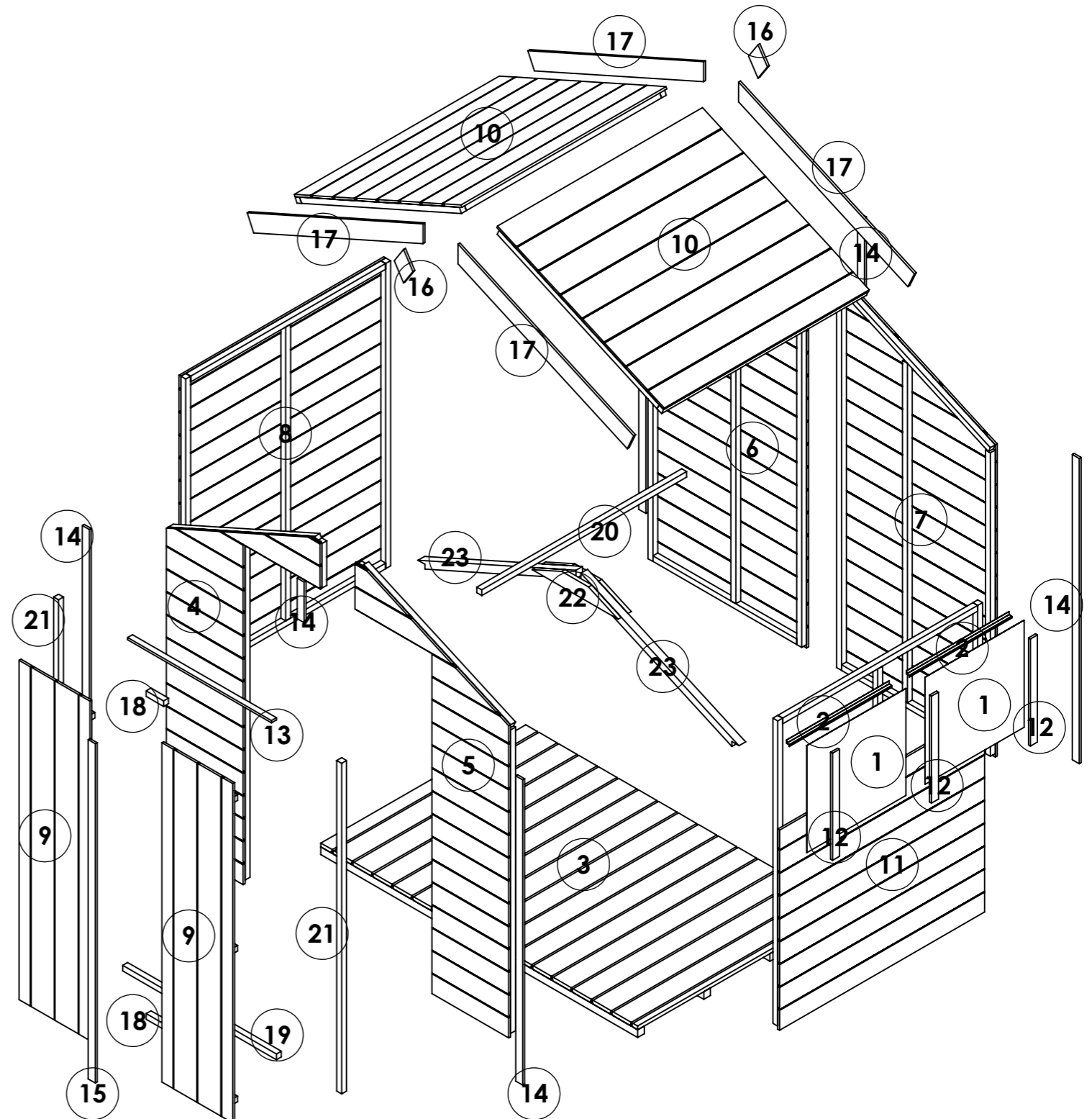


OPTIONS:

Floor: **11mm T&G**
 Roof: **11mm T&G**
 Truss: **11mm T&G**

4x6 Master Tongue and Groove Windowed Apex

ITEM NO.	Part Name - ID/Code - Name	QTY.
1	14447-Glazing 1.2mm Styrene Fixed Window W0.566xH0.530m	2
2	14449-Window Sill Black L0.586m	2
3	25410-Floor ASM 19mm TG W1.172xH1.812m	1
4	25425-Section 11mm TG 6ft Gable Door Left U1511 W0.879xH1.912m	1
5	25426-Section 11mm TG 6ft Gable Door Right U1511 W0.879xH1.912m	1
6	25427-Section 11mm TG 6ft Gable Plain Left U1511 W0.879xH1.912m	1
7	25428-Section 11mm TG 6ft Gable Plain Right U1511 W0.879xH1.912m	1
8	25434-Section 11mm TG 4ft Panel Plain U1511 W1.172xH1.523m	1
9	25436-Door Double 11mm TG W0.405xH1.680m	2
10	25440-Roof Apex 11mm TG W1.172xH1.044m	2
11	25555-Section 11mm TG 4ft Panel Fixed Window U1511 W1.172xH1.523m	1
12	CL-0530-40RS- Window Cloak	3
13	CL-0823-28RS- Door Head	1
14	CL-1511-40RS- Panel Cloak	7
15	CL-1680-40RS- Door Cloak	1
16	FB-0138-90RS- Finial	2
17	FB-1100-90RS- Fascia Board	4
18	FR-0100-SQ- Door Block	2
19	FR-0879-SQ- Door Threshold	1
20	FR-1172-SQ- Purlin	1
21	FR-1637-SQ- Door Upright	2
22	TR-0491-BV2	2
23	TR-0990-BM38	2



OPTIONS:

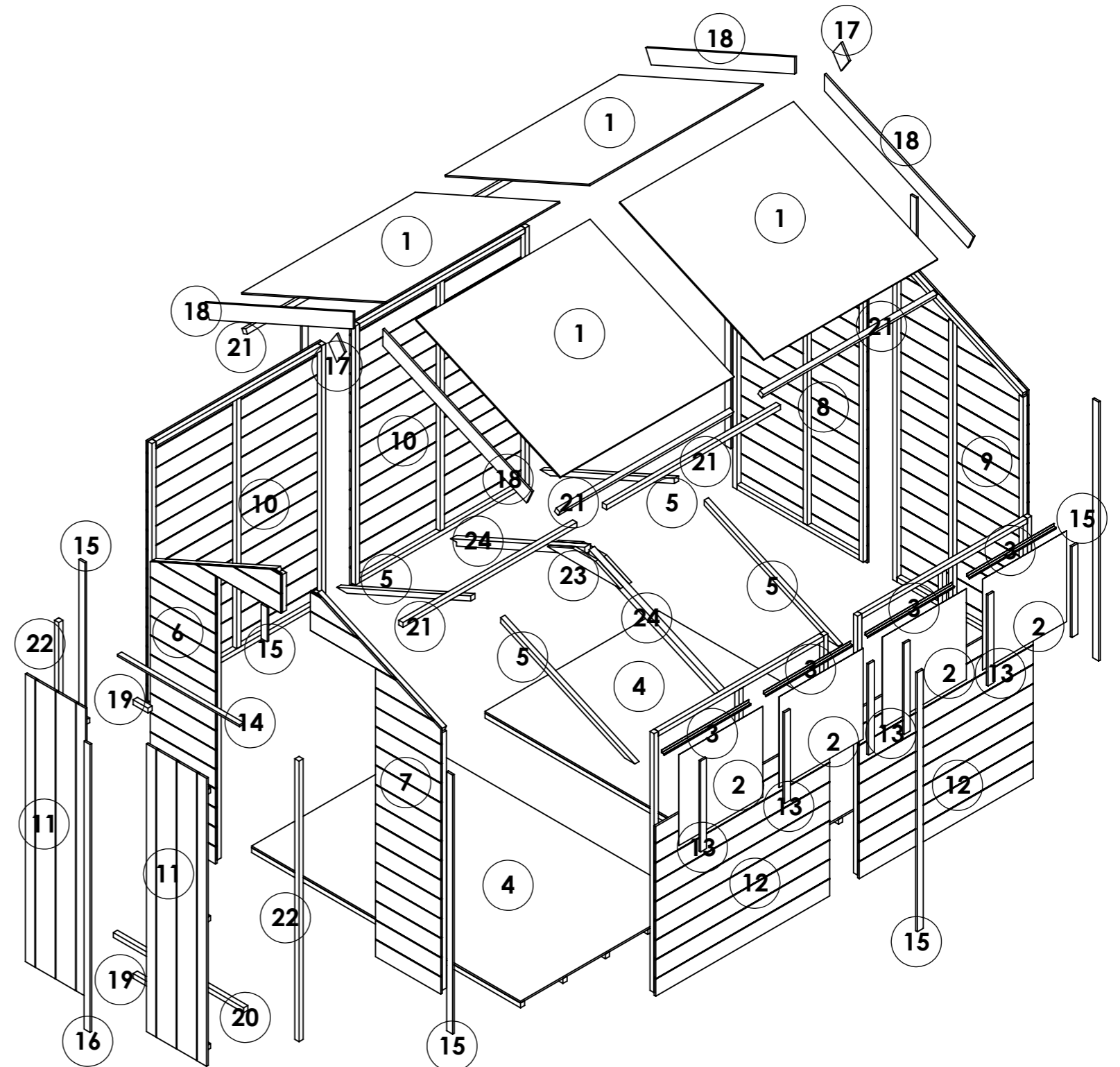
Floor: **19mm T&G**

Roof: **11mm T&G**

Truss: **11mm T&G Heavy Duty**

8x6 Master Tongue and Groove Windowed Apex

ITEM NO.	Part Name - ID/Code - Name	QTY.
1	14428-Roof Apex 8mm SS W1.172xH1.064m	4
2	14447-Glazing 1.2mm Styrene Fixed Window W0.566xH0.530m	4
3	14449-Window Sill Black L0.586m	4
4	14589-Floor ASM Solid Sheet W1.172xH1.812m	2
5	25406-Roof Support 6ft Treated L0.99m	4
6	25425-Section 11mm TG 6ft Gable Door Left U1511 W0.879xH1.912m	1
7	25426-Section 11mm TG 6ft Gable Door Right U1511 W0.879xH1.912m	1
8	25427-Section 11mm TG 6ft Gable Plain Left U1511 W0.879xH1.912m	1
9	25428-Section 11mm TG 6ft Gable Plain Right U1511 W0.879xH1.912m	1
10	25434-Section 11mm TG 4ft Panel Plain U1511 W1.172xH1.523m	2
11	25436-Door Double 11mm TG W0.405xH1.680m	2
12	25555-Section 11mm TG 4ft Panel Fixed Window U1511 W1.172xH1.523m	2
13	CL-0530-40RS- Window Cloak	6
14	CL-0823-28RS- Door Head	1
15	CL-1511-40RS- Panel Cloak	9
16	CL-1680-40RS- Door Cloak	1
17	FB-0138-90RS- Finial	2
18	FB-1100-90RS- Fascia Board	4
19	FR-0100-SQ- Door Block	2
20	FR-0879-SQ- Door Threshold	1
21	FR-1172-SQ- Purlin	6
22	FR-1637-SQ- Door Upright	2
23	TR-0491-BV2	2
24	TR-0990-BM38	2

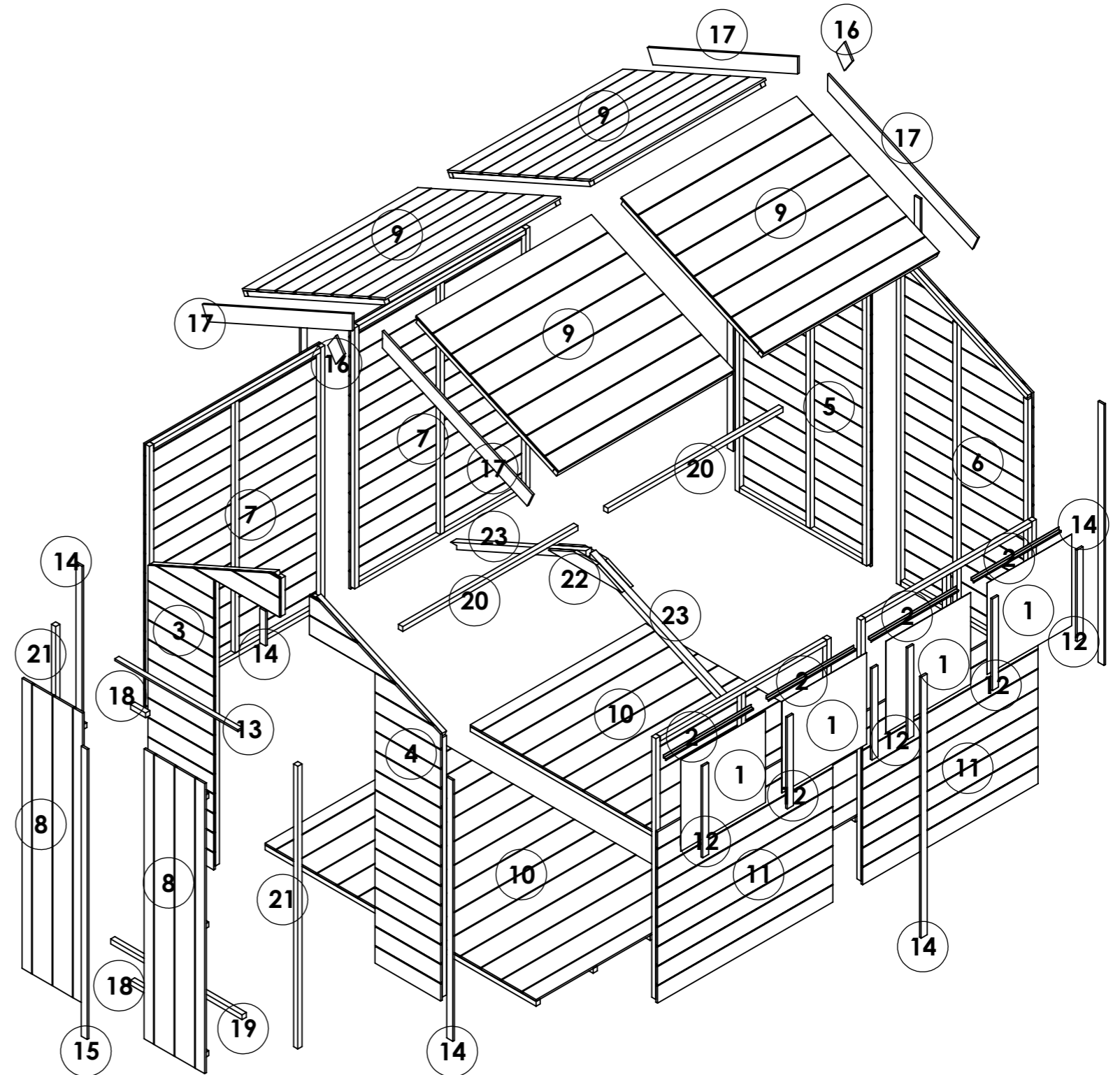


OPTIONS:

Floor: **Solid Sheet**
 Roof: **Solid Sheet**
 Truss: **Solid Sheet**

8x6 Master Tongue and Groove Windowed Apex

ITEM NO.	Part Name - ID/Code - Name	QTY.
1	14447-Glazing 1.2mm Styrene Fixed Window W0.566xH0.530m	4
2	14449-Window Sill Black L0.586m	4
3	25425-Section 11mm TG 6ft Gable Door Left U1511 W0.879xH1.912m	1
4	25426-Section 11mm TG 6ft Gable Door Right U1511 W0.879xH1.912m	1
5	25427-Section 11mm TG 6ft Gable Plain Left U1511 W0.879xH1.912m	1
6	25428-Section 11mm TG 6ft Gable Plain Right U1511 W0.879xH1.912	1
7	25434-Section 11mm TG 4ft Panel Plain U1511 W1.172xH1.523m	2
8	25436-Door Double 11mm TG W0.405xH1.680m	2
9	25440-Roof Apex 11mm TG W1.172xH1.044m	4
10	25451-Floor ASM 11mm TG W1.172xH1.812m	2
11	25555-Section 11mm TG 4ft Panel Fixed Window U1511 W1.172xH1.523m	2
12	CL-0530-40RS- Window Cloak	6
13	CL-0823-28RS- Door Head	1
14	CL-1511-40RS- Panel Cloak	9
15	CL-1680-40RS- Door Cloak	1
16	FB-0138-90RS- Finial	2
17	FB-1100-90RS- Fascia Board	4
18	FR-0100-SQ- Door Block	2
19	FR-0879-SQ- Door Threshold	1
20	FR-1172-SQ- Purlin	2
21	FR-1637-SQ- Door Upright	2
22	TR-0491-BV2	2
23	TR-0990-BM38	2

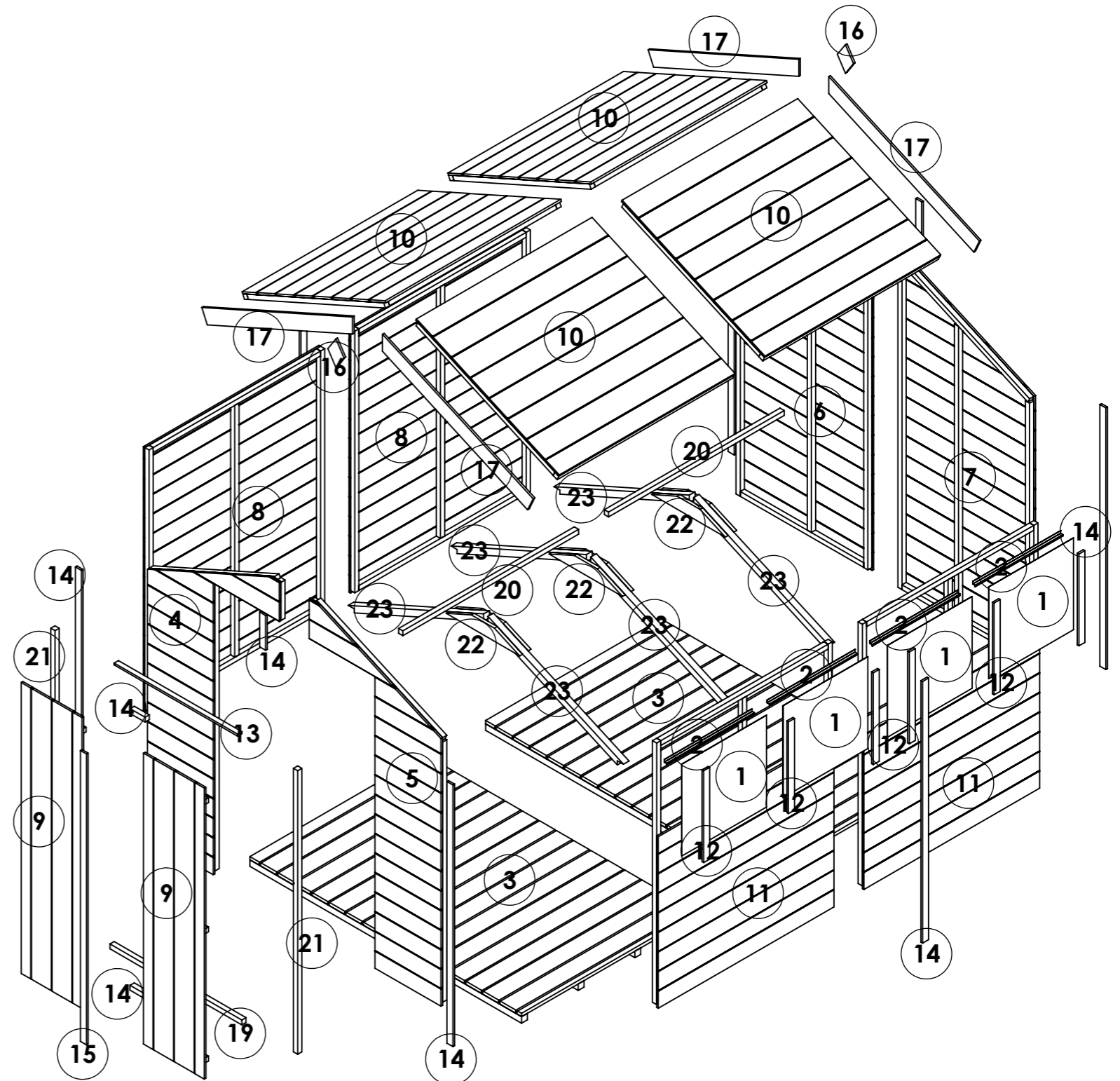


OPTIONS:

Floor: **11mm T&G**
 Roof: **11mm T&G**
 Truss: **11mm T&G**

8x6 Master Tongue and Groove Windowed Apex

ITEM NO.	Part Name - ID/Code - Name	QTY.
1	14447-Glazing 1.2mm Styrene Fixed Window W0.566xH0.530m	4
2	14449-Window Sill Black L0.586m	4
3	25410-Floor ASM 19mm TG W1.172xH1.812m	2
4	25425-Section 11mm TG 6ft Gable Door Left U1511 W0.879xH1.912m	1
5	25426-Section 11mm TG 6ft Gable Door Right U1511 W0.879xH1.912m	1
6	25427-Section 11mm TG 6ft Gable Plain Left U1511 W0.879xH1.912m	1
7	25428-Section 11mm TG 6ft Gable Plain Right U1511 W0.879xH1.912m	1
8	25434-Section 11mm TG 4ft Panel Plain U1511 W1.172xH1.523m	2
9	25436-Door Double 11mm TG W0.405xH1.680m	2
10	25440-Roof Apex 11mm TG W1.172xH1.044m	4
11	25555-Section 11mm TG 4ft Panel Fixed Window U1511 W1.172xH1.523m	2
12	CL-0530-40RS- Window Cloak	6
13	CL-0823-28RS- Door Head	1
14	CL-1511-40RS- Panel Cloak	9
15	CL-1680-40RS- Door Cloak	1
16	FB-0138-90RS- Finial	2
17	FB-1100-90RS- Fascia Board	4
14	FR-0100-SQ- Door Block	2
19	FR-0879-SQ- Door Threshold	1
20	FR-1172-SQ- Purlin	2
21	FR-1637-SQ- Door Upright	2
22	TR-0491-BV2	6
23	TR-0990-BM38	6



OPTIONS:

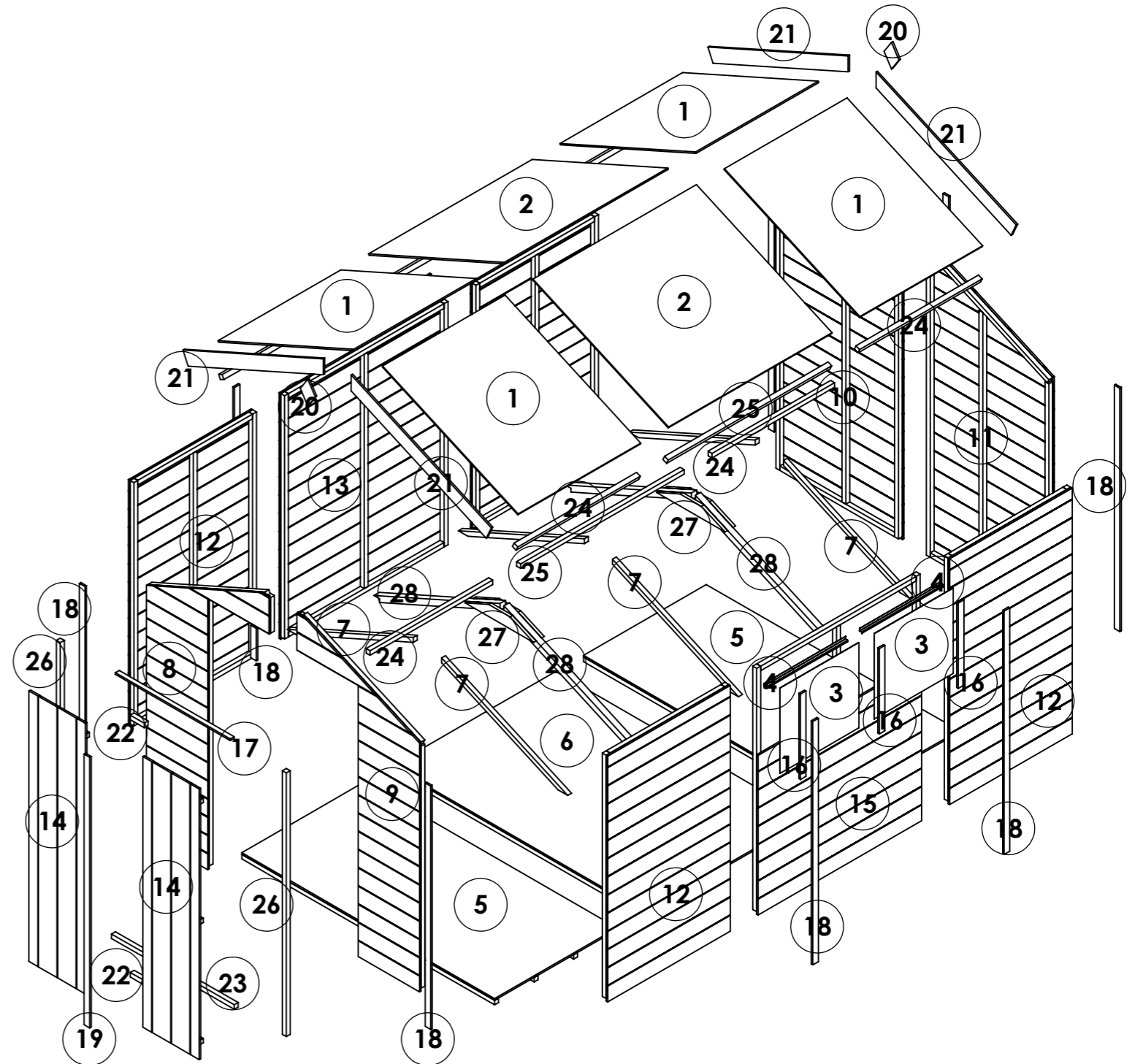
Floor: **19mm T&G**

Roof: **11mm T&G**

Truss: **11mm T&G Heavy Duty**

10x6 Master Tongue and Groove Windowed Apex

ITEM NO.	Part Name - ID/Code - Name	QTY.
1	14427-Roof Apex 8mm SS W0.879xH1.064m	4
2	14428-Roof Apex 8mm SS W1.172xH1.064m	2
3	14447-Glazing 1.2mm Styrene Fixed Window W0.566xH0.530m	2
4	14449-Window Sill Black L0.586m	2
5	14588-Floor ASM Solid Sheet W0.879xH1.812m	2
6	14589-Floor ASM Solid Sheet W1.172xH1.812m	1
7	25406-Roof Support 6ft Treated L0.99m	6
8	25425-Section 11mm TG 6ft Gable Door Left U1511 W0.879xH1.912m	1
9	25426-Section 11mm TG 6ft Gable Door Right U1511 W0.879xH1.912m	1
10	25427-Section 11mm TG 6ft Gable Plain Left U1511 W0.879xH1.912m	1
11	25428-Section 11mm TG 6ft Gable Plain Right U1511 W0.879xH1.912m	1
12	25433-Section 11mm TG 3ft Panel Plain U1511 W0.879xH1.523m	4
13	25434-Section 11mm TG 4ft Panel Plain U1511 W1.172xH1.523m	1
14	25436-Door Double 11mm TG W0.405xH1.680m	2
15	25555-Section 11mm TG 4ft Panel Fixed Window U1511 W1.172xH1.523m	1
16	CL-0530-40RS- Window Cloak	3
17	CL-0823-28RS- Door Head	1
18	CL-1511-40RS- Panel Cloak	11
19	CL-1680-40RS- Door Cloak	1
20	FB-0138-90RS- Finial	2
21	FB-1100-90RS- Fascia Board	4
22	FR-0100-SQ- Door Block	2
23	FR-0879-SQ- Door Threshold	1
24	FR-0879-SQ- Purlin	6
25	FR-1172-SQ- Purlin	3
26	FR-1637-SQ- Door Upright	2
27	TR-0491-BV2	4
28	TR-0990-BM38	4

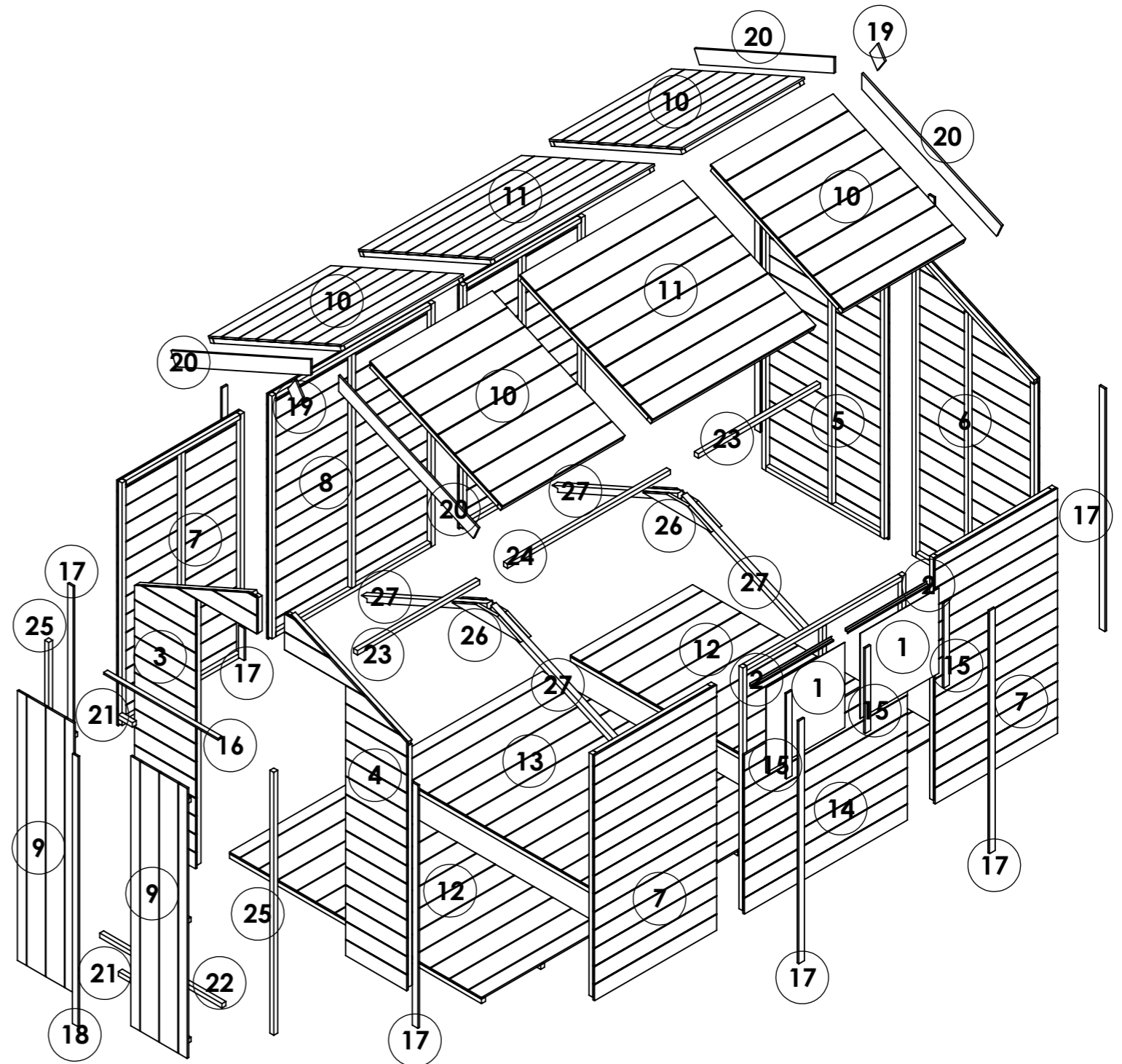


OPTIONS:

Floor: **Solid Sheet**
 Roof: **Solid Sheet**
 Truss: **Solid Sheet**

10x6 Master Tongue and Groove Windowed Apex

ITEM NO.	Part Name - ID/Code - Name	QTY.
1	14447-Glazing 1.2mm Styrene Fixed Window W0.566xH0.530m	2
2	14449-Window Sill Black L0.586m	2
3	25425-Section 11mm TG 6ft Gable Door Left U1511 W0.879xH1.912m	1
4	25426-Section 11mm TG 6ft Gable Door Right U1511 W0.879xH1.912m	1
5	25427-Section 11mm TG 6ft Gable Plain Left U1511 W0.879xH1.912m	1
6	25428-Section 11mm TG 6ft Gable Plain Right U1511 W0.879xH1.912m	1
7	25433-Section 11mm TG 3ft Panel Plain U1511 W0.879xH1.523m	4
8	25434-Section 11mm TG 4ft Panel Plain U1511 W1.172xH1.523m	1
9	25436-Door Double 11mm TG W0.405xH1.680m	2
10	25439-Roof Apex 11mm TG W0.879xH1.044m	4
11	25440-Roof Apex 11mm TG W1.172xH1.044m	2
12	25450-Floor ASM 11mm TG W0.879xH1.812m	2
13	25451-Floor ASM 11mm TG W1.172xH1.812m	1
14	25555-Section 11mm TG 4ft Panel Fixed Window U1511 W1.172xH1.523m	1
15	CL-0530-40RS- Window Cloak	3
16	CL-0823-28RS- Door Head	1
17	CL-1511-40RS- Panel Cloak	11
18	CL-1680-40RS- Door Cloak	1
19	FB-0138-90RS- Finial	2
20	FB-1100-90RS- Fascia Board	4
21	FR-0100-SQ- Door Block	2
22	FR-0879-SQ- Door Threshold	1
23	FR-0879-SQ- Purlin	2
24	FR-1172-SQ- Purlin	1
25	FR-1637-SQ- Door Upright	2
26	TR-0491-BV2	4
27	TR-0990-BM38	4

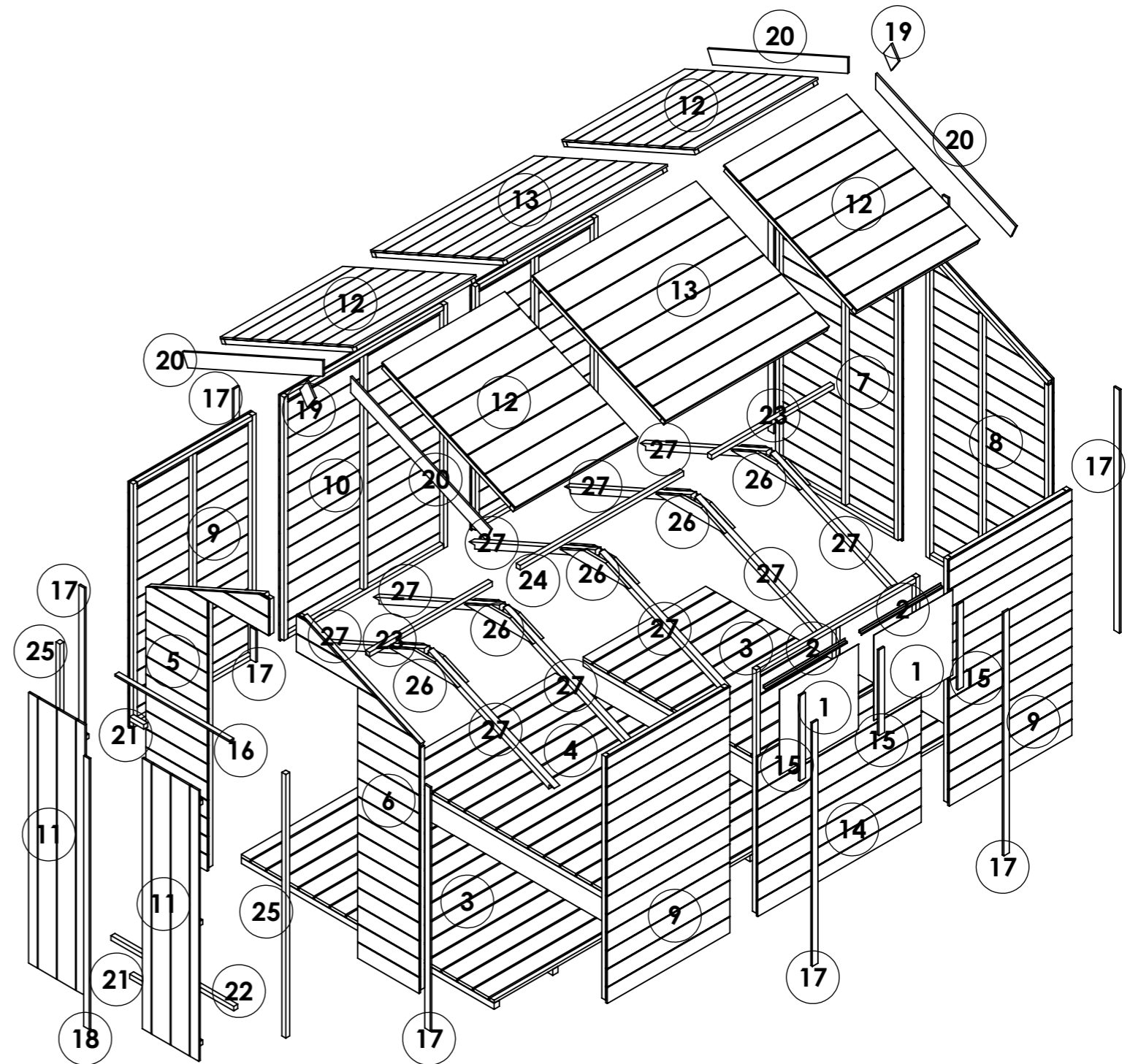


OPTIONS:

Floor: **11mm T&G**
 Roof: **11mm T&G**
 Truss: **11mm T&G**

10x6 Master Tongue and Groove Windowed Apex

ITEM NO.	Part Name - ID/Code - Name	QTY.
1	14447-Glazing 1.2mm Styrene Fixed Window W0.566xH0.530m	2
2	14449-Window Sill Black L0.586m	2
3	25409-Floor ASM 19mm TG W0.879xH1.812m	2
4	25410-Floor ASM 19mm TG W1.172xH1.812m	1
5	25425-Section 11mm TG 6ft Gable Door Left U1511 W0.879xH1.912m	1
6	25426-Section 11mm TG 6ft Gable Door Right U1511 W0.879xH1.912m	1
7	25427-Section 11mm TG 6ft Gable Plain Left U1511 W0.879xH1.912m	1
8	25428-Section 11mm TG 6ft Gable Plain Right U1511 W0.879xH1.912m	1
9	25433-Section 11mm TG 3ft Panel Plain U1511 W0.879xH1.523m	4
10	25434-Section 11mm TG 4ft Panel Plain U1511 W1.172xH1.523m	1
11	25436-Door Double 11mm TG W0.405xH1.680m	2
12	25439-Roof Apex 11mm TG W0.879xH1.044m	4
13	25440-Roof Apex 11mm TG W1.172xH1.044m	2
14	25555-Section 11mm TG 4ft Panel Fixed Window U1511 W1.172xH1.523m	1
15	CL-0530-40RS- Window Cloak	3
16	CL-0823-28RS- Door Head	1
17	CL-1511-40RS- Panel Cloak	11
18	CL-1680-40RS- Door Cloak	1
19	FB-0138-90RS- Finial	2
20	FB-1100-90RS- Fascia Board	4
21	FR-0100-SQ- Door Block	2
22	FR-0879-SQ- Door Threshold	1
23	FR-0879-SQ- Purlin	2
24	FR-1172-SQ- Purlin	1
25	FR-1637-SQ- Door Upright	2
26	TR-0491-BV2	10
27	TR-0990-BM38	10



OPTIONS:

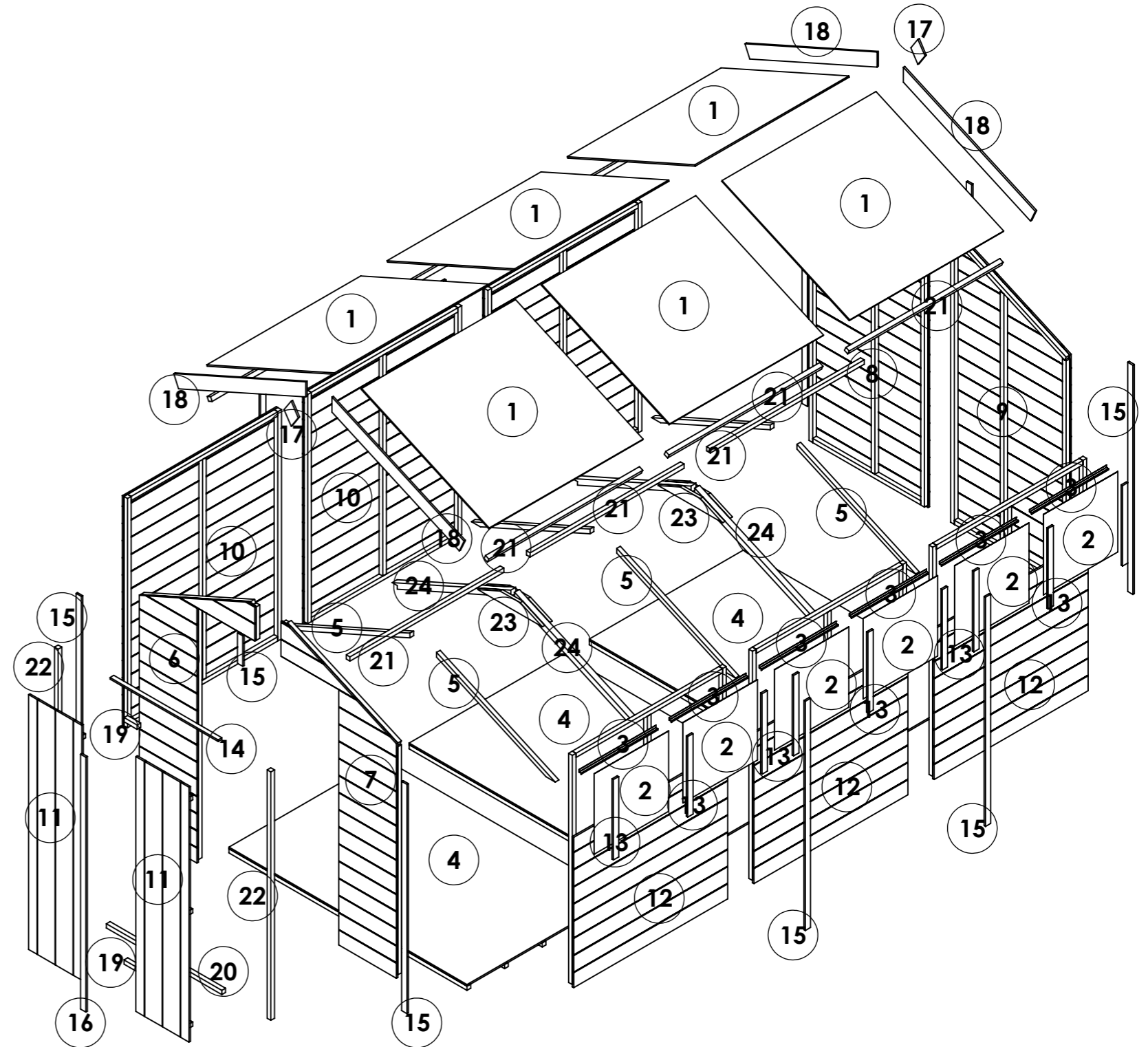
Floor: **19mm T&G**

Roof: **11mm T&G**

Truss: **11mm T&G Heavy Duty**

12x6 Master Tongue and Groove Windowed Apex

ITEM NO.	Part Name - ID/Code - Name	QTY.
1	14428-Roof Apex 8mm SS W1.172xH1.064m	6
2	14447-Glazing 1.2mm Styrene Fixed Window W0.566xH0.530m	6
3	14449-Window Sill Black L0.586m	6
4	14589-Floor ASM Solid Sheet W1.172xH1.812m	3
5	25406-Roof Support 6ft Treated L0.99m	6
6	25425-Section 11mm TG 6ft Gable Door Left U1511 W0.879xH1.912m	1
7	25426-Section 11mm TG 6ft Gable Door Right U1511 W0.879xH1.912m	1
8	25427-Section 11mm TG 6ft Gable Plain Left U1511 W0.879xH1.912m	1
9	25428-Section 11mm TG 6ft Gable Plain Right U1511 W0.879xH1.912m	1
10	25434-Section 11mm TG 4ft Panel Plain U1511 W1.172xH1.523m	3
11	25436-Door Double 11mm TG W0.405xH1.680m	2
12	25555-Section 11mm TG 4ft Panel Fixed Window U1511 W1.172xH1.523m	3
13	CL-0530-40RS- Window Cloak	9
14	CL-0823-28RS- Door Head	1
15	CL-1511-40RS- Panel Cloak	11
16	CL-1680-40RS- Door Cloak	1
17	FB-0138-90RS- Finial	2
18	FB-1100-90RS- Fascia Board	4
19	FR-0100-SQ- Door Block	2
20	FR-0879-SQ- Door Threshold	1
21	FR-1172-SQ- Purlin	9
22	FR-1637-SQ- Door Upright	2
23	TR-0491-BV2	4
24	TR-0990-BM38	4

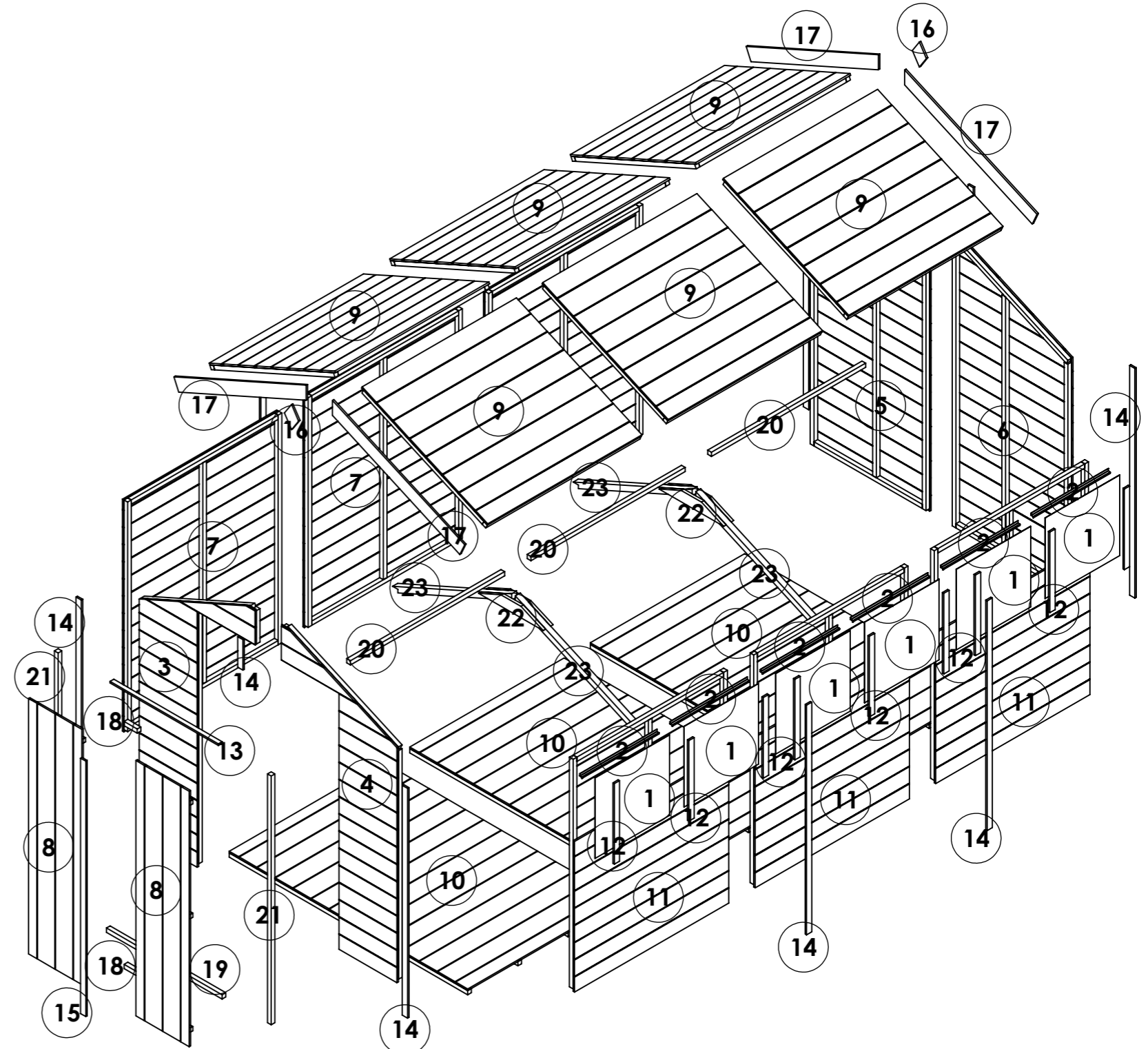


OPTIONS:

Floor: **Solid Sheet**
 Roof: **Solid Sheet**
 Truss: **Solid Sheet**

12x6 Master Tongue and Groove Windowed Apex

ITEM NO.	Part Name - ID/Code - Name	QTY.
1	14447-Glazing 1.2mm Styrene Fixed Window W0.566xH0.530m	6
2	14449-Window Sill Black L0.586m	6
3	25425-Section 11mm TG 6ft Gable Door Left U1511 W0.879xH1.912m	1
4	25426-Section 11mm TG 6ft Gable Door Right U1511 W0.879xH1.912m	1
5	25427-Section 11mm TG 6ft Gable Plain Left U1511 W0.879xH1.912m	1
6	25428-Section 11mm TG 6ft Gable Plain Right U1511 W0.879xH1.912m	1
7	25434-Section 11mm TG 4ft Panel Plain U1511 W1.172xH1.523m	3
8	25436-Door Double 11mm TG W0.405xH1.680m	2
9	25440-Roof Apex 11mm TG W1.172xH1.044m	6
10	25451-Floor ASM 11mm TG W1.172xH1.812m	3
11	25555-Section 11mm TG 4ft Panel Fixed Window U1511 W1.172xH1.523m	3
12	CL-0530-40RS- Window Cloak	9
13	CL-0823-28RS- Door Head	1
14	CL-1511-40RS- Panel Cloak	11
15	CL-1680-40RS- Door Cloak	1
16	FB-0138-90RS- Finial	2
17	FB-1100-90RS- Fascia Board	4
18	FR-0100-SQ- Door Block	2
19	FR-0879-SQ- Door Threshold	1
20	FR-1172-SQ- Purlin	3
21	FR-1637-SQ- Door Upright	2
22	TR-0491-BV2	4
23	TR-0990-BM38	4



OPTIONS:

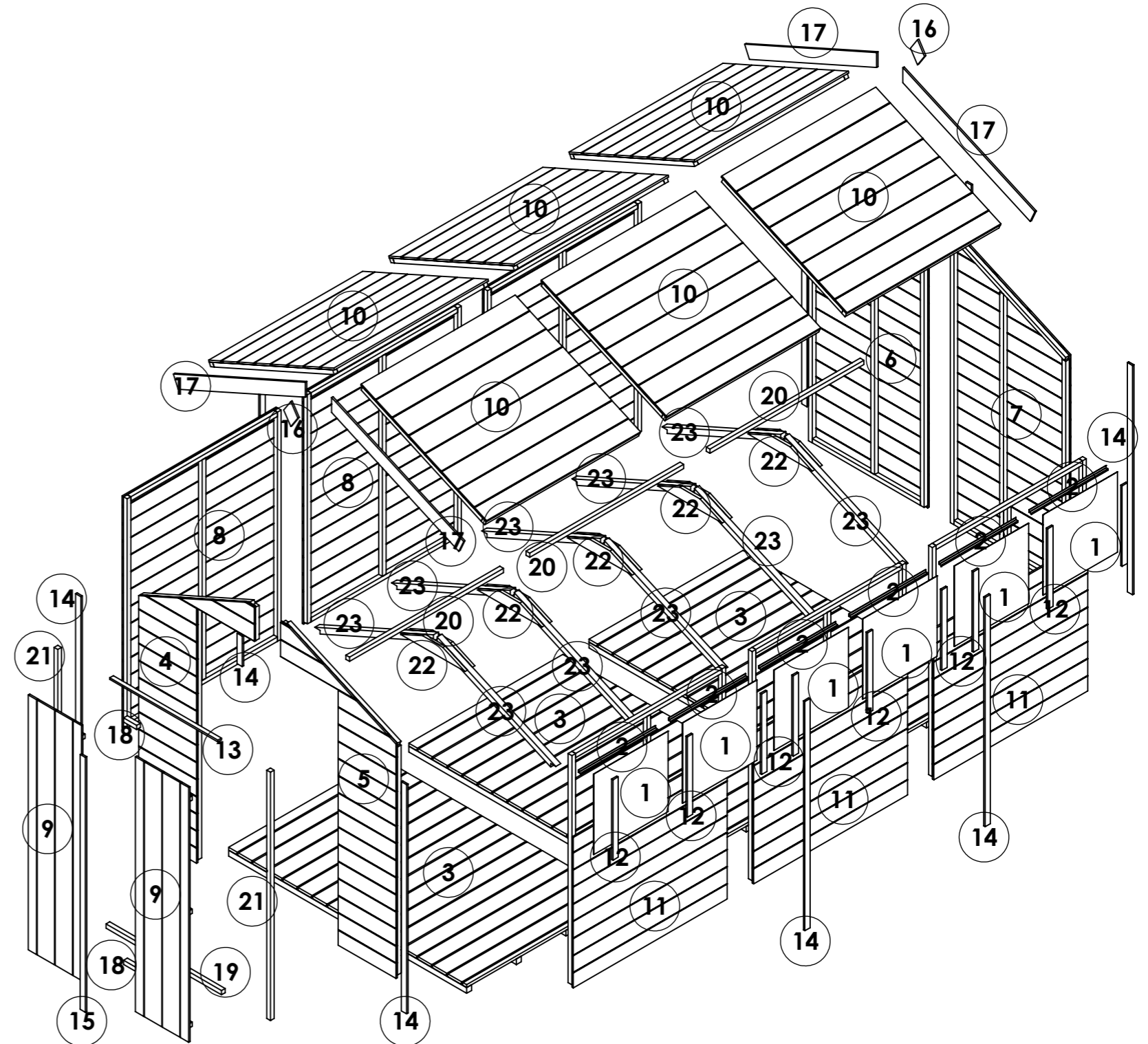
Floor: **11mm T&G**

Roof: **11mm T&G**

Truss: **11mm T&G**

12x6 Master Tongue and Groove Windowed Apex

ITEM NO.	Part Name - ID/Code - Name	QTY.
1	14447-Glazing 1.2mm Styrene Fixed Window W0.566xH0.530m	6
2	14449-Window Sill Black L0.586m<As Machined	6
3	25410-Floor ASM 19mm TG W1.172xH1.812m	3
4	25425-Section 11mm TG 6ft Gable Door Left U1511 W0.879xH1.912m	1
5	25426-Section 11mm TG 6ft Gable Door Right U1511 W0.879xH1.912m	1
6	25427-Section 11mm TG 6ft Gable Plain Left U1511 W0.879xH1.912m	1
7	25428-Section 11mm TG 6ft Gable Plain Right U1511 W0.879xH1.912m	1
8	25434-Section 11mm TG 4ft Panel Plain U1511 W1.172xH1.523m	3
9	25436-Door Double 11mm TG W0.405xH1.680m	2
10	25440-Roof Apex 11mm TG W1.172xH1.044m	6
11	25555-Section 11mm TG 4ft Panel Fixed Window U1511 W1.172xH1.523m	3
12	CL-0530-40RS- Window Cloak	9
13	CL-0823-28RS- Door Head	1
14	CL-1511-40RS- Panel Cloak	11
15	CL-1680-40RS- Door Cloak	1
16	FB-0138-90RS- Finial	2
17	FB-1100-90RS- Fascia Board	4
18	FR-0100-SQ- Door Block	2
19	FR-0879-SQ- Door Threshold	1
20	FR-1172-SQ- Purlin	3
21	FR-1637-SQ- Door Upright	2
22	TR-0491-BV2	10
23	TR-0990-BM38	10



OPTIONS:

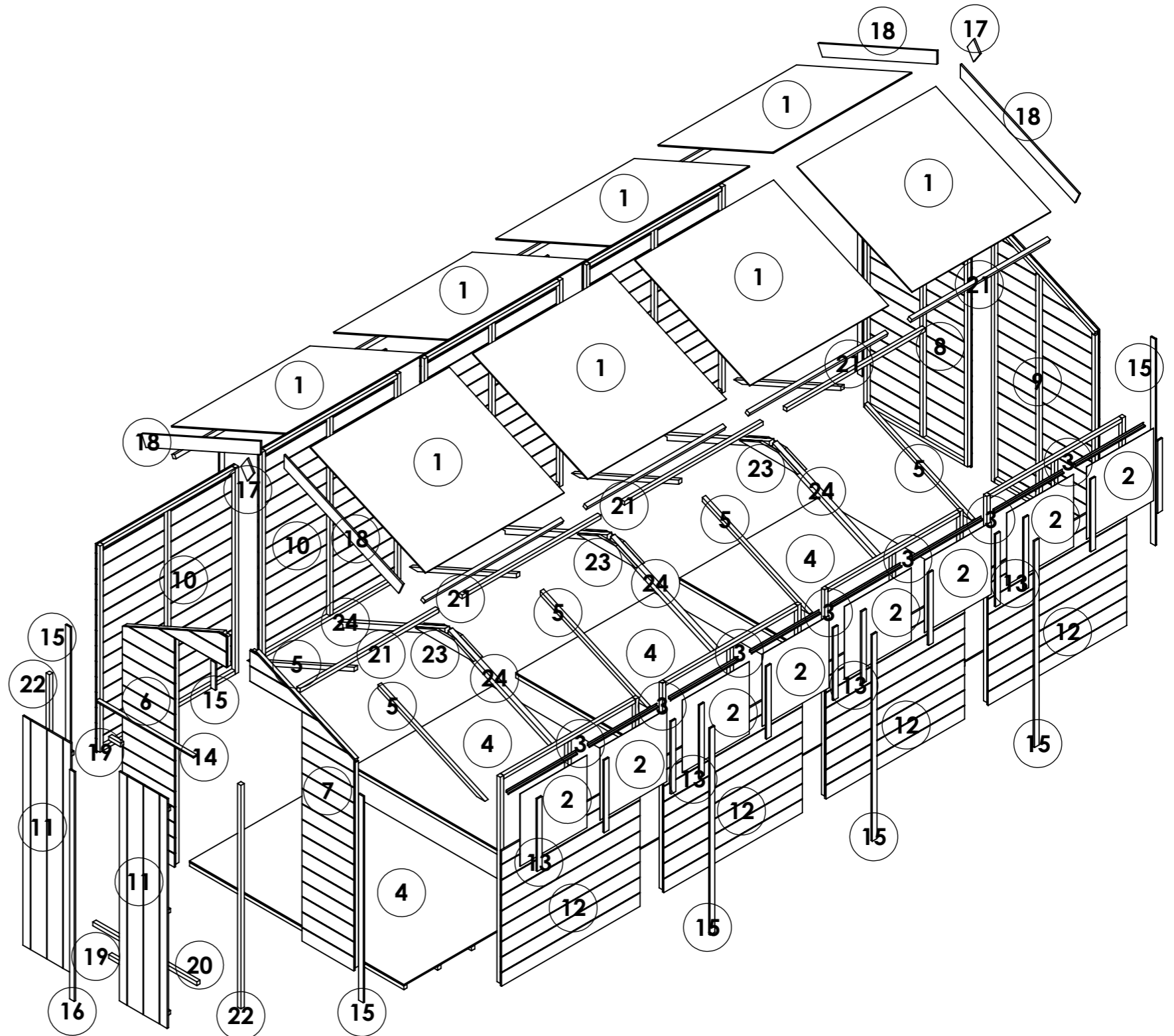
Floor: **19mm T&G**

Roof: **11mm T&G**

Truss: **11mm T&G Heavy Duty**

16x6 Master Tongue and Groove Windowed Apex

ITEM NO.	Part Name - ID/Code - Name	QTY.
1	14428-Roof Apex 8mm SS W1.172xH1.064m	8
2	14447-Glazing 1.2mm Styrene Fixed Window W0.566xH0.530	8
3	14449-Window Sill Black L0.586m	8
4	14589-Floor ASM Solid Sheet W1.172xH1.812m	4
5	25406-Roof Support 6ft Treated L0.99m	8
6	25425-Section 11mm TG 6ft Gable Door Left U1511 W0.879xH1.912m	1
7	25426-Section 11mm TG 6ft Gable Door Right U1511 W0.879xH1.912m	1
8	25427-Section 11mm TG 6ft Gable Plain Left U1511 W0.879xH1.912m	1
9	25428-Section 11mm TG 6ft Gable Plain Right U1511 W0.879xH1.912m	1
10	25434-Section 11mm TG 4ft Panel Plain U1511 W1.172xH1.523m	4
11	25436-Door Double 11mm TG W0.405xH1.680m	2
12	25555-Section 11mm TG 4ft Panel Fixed Window U1511 W1.172xH1.523m	4
13	CL-0530-40RS- Window Cloak	12
14	CL-0823-28RS- Door Head	1
15	CL-1511-40RS- Panel Cloak	13
16	CL-1680-40RS- Door Cloak	1
17	FB-0138-90RS- Finial	2
18	FB-1100-90RS- Fascia Board	4
19	FR-0100-SQ- Door Block	2
20	FR-0879-SQ- Door Threshold	1
21	FR-1172-SQ- Purlin	12
22	FR-1637-SQ- Door Upright	2
23	TR-0491-BV2	6
24	TR-0990-BM38	6

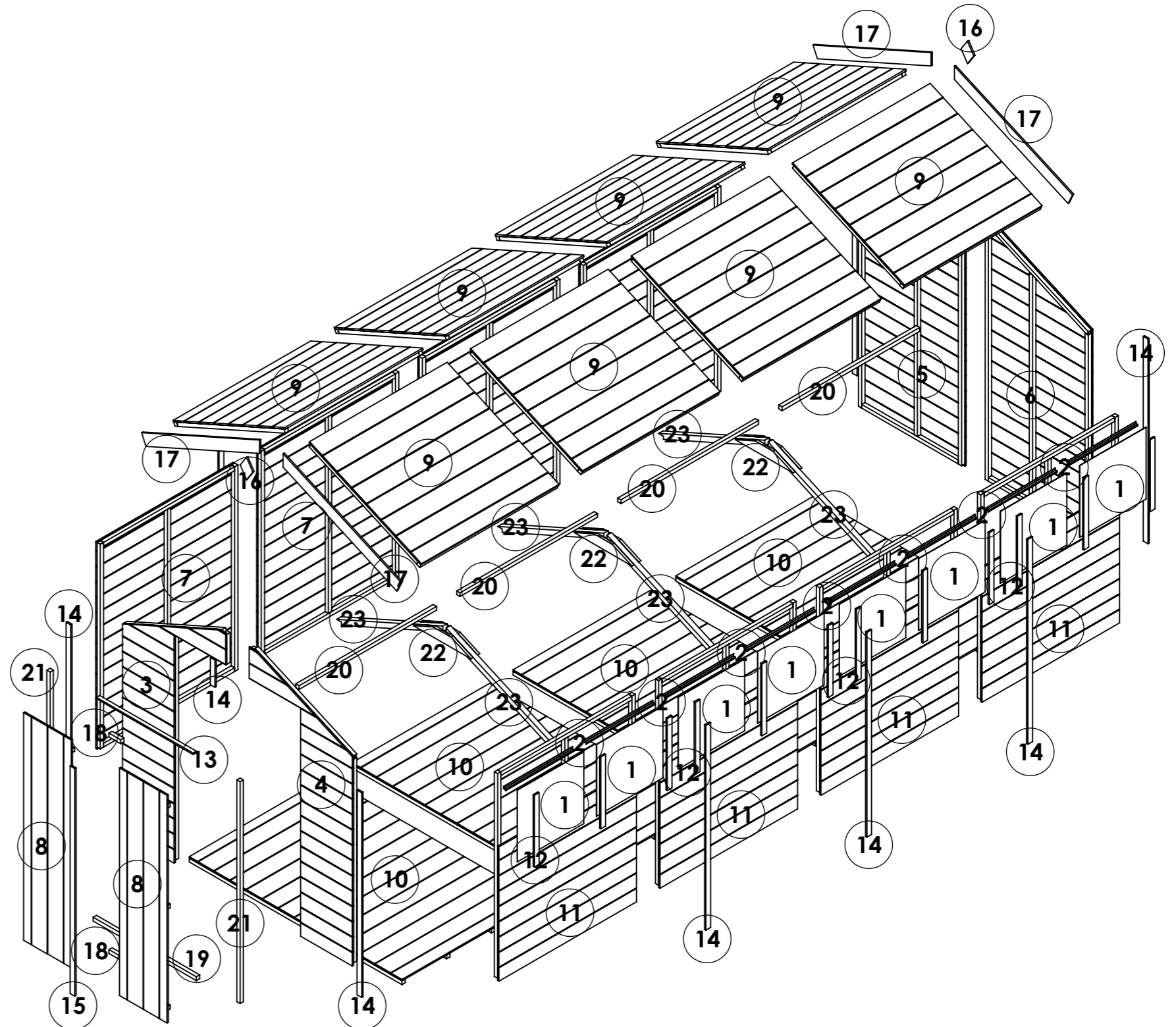


OPTIONS:

Floor: **Solid Sheet**
 Roof: **Solid Sheet**
 Truss: **Solid Sheet**

16x6 Master Tongue and Groove Windowed Apex

ITEM NO.	Part Name - ID/Code - Name	QTY.
1	14447-Glazing 1.2mm Styrene Fixed Window W0.566xH0.530m	8
2	14449-Window Sill Black L0.586m	8
3	25425-Section 11mm TG 6ft Gable Door Left U1511 W0.879xH1.912m	1
4	25426-Section 11mm TG 6ft Gable Door Right U1511 W0.879xH1.912m	1
5	25427-Section 11mm TG 6ft Gable Plain Left U1511 W0.879xH1.912m	1
6	25428-Section 11mm TG 6ft Gable Plain Right U1511 W0.879xH1.912m	1
7	25434-Section 11mm TG 4ft Panel Plain U1511 W1.172xH1.523m	4
8	25436-Door Double 11mm TG W0.405xH1.680m	2
9	25440-Roof Apex 11mm TG W1.172xH1.044m	8
10	25451-Floor ASM 11mm TG W1.172xH1.812m	4
11	25555-Section 11mm TG 4ft Panel Fixed Window U1511 W1.172xH1.523m	4
12	CL-0530-40RS- Window Cloak	12
13	CL-0823-28RS- Door Head	1
14	CL-1511-40RS- Panel Cloak	13
15	CL-1680-40RS- Door Cloak	1
16	FB-0138-90RS- Finial	2
17	FB-1100-90RS- Fascia Board	4
18	FR-0100-SQ- Door Block	2
19	FR-0879-SQ- Door Threshold	1
20	FR-1172-SQ- Purlin	4
21	FR-1637-SQ- Door Upright	2
22	TR-0491-BV2	6
23	TR-0990-BM38	6

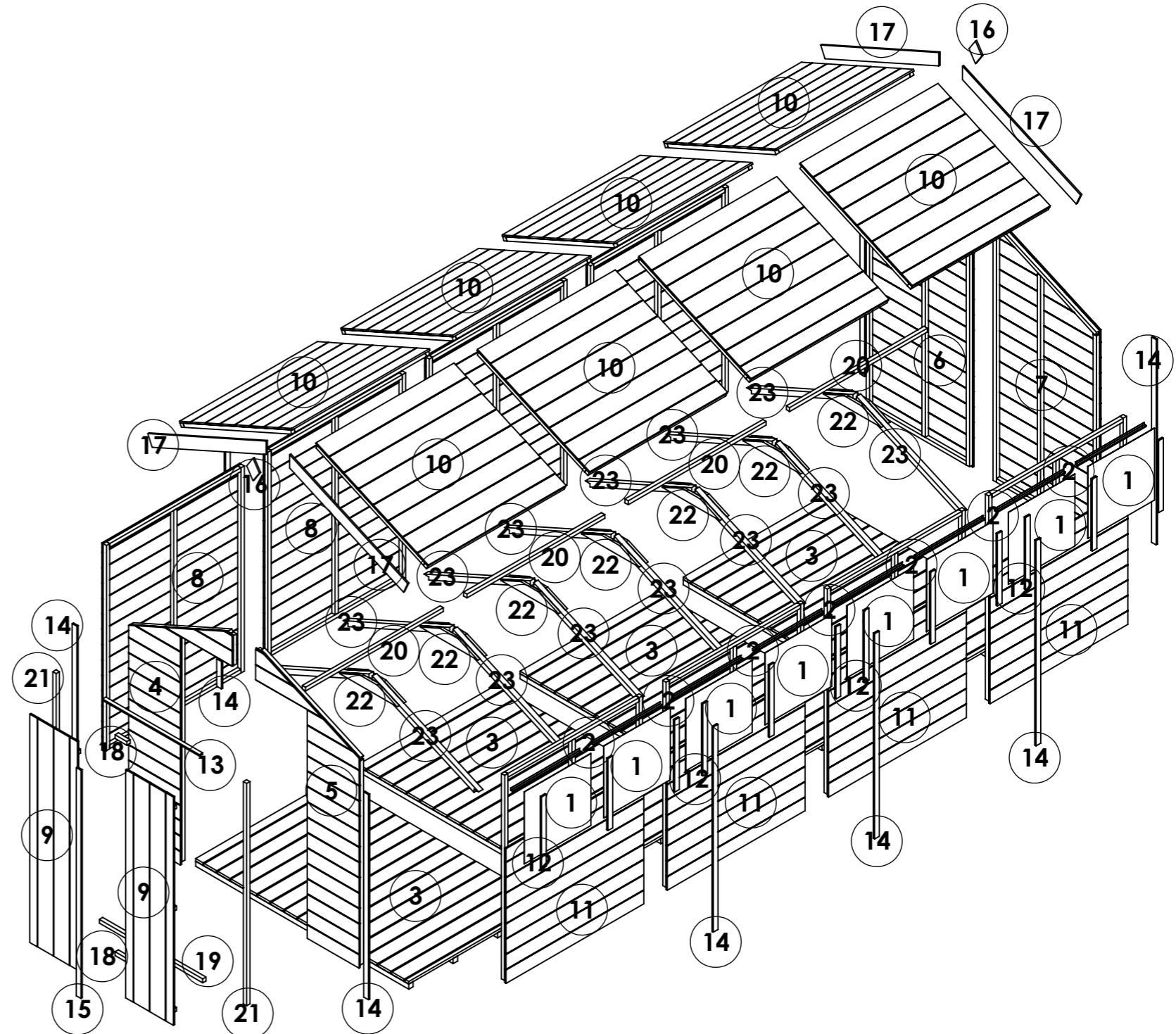


OPTIONS:

Floor: **11mm T&G**
 Roof: **11mm T&G**
 Truss: **11mm T&G**

16x6 Master Tongue and Groove Windowed Apex

ITEM NO.	Part Name - ID/Code - Name	QTY.
1	14447-Glazing 1.2mm Styrene Fixed Window W0.566xH0.530m	8
2	14449-Window Sill Black L0.586m	8
3	25410-Floor ASM 19mm TG W1.172xH1.812m	4
4	25425-Section 11mm TG 6ft Gable Door Left U1511 W0.879xH1.912m	1
5	25426-Section 11mm TG 6ft Gable Door Right U1511 W0.879xH1.912m	1
6	25427-Section 11mm TG 6ft Gable Plain Left U1511 W0.879xH1.912m	1
7	25428-Section 11mm TG 6ft Gable Plain Right U1511 W0.879xH1.912m	1
8	25434-Section 11mm TG 4ft Panel Plain U1511 W1.172xH1.523m	4
9	25436-Door Double 11mm TG W0.405xH1.680m	2
10	25440-Roof Apex 11mm TG W1.172xH1.044m	8
11	25555-Section 11mm TG 4ft Panel Fixed Window U1511 W1.172xH1.523m	4
12	CL-0530-40RS- Window Cloak	12
13	CL-0823-28RS- Door Head	1
14	CL-1511-40RS- Panel Cloak	13
15	CL-1680-40RS- Door Cloak	1
16	FB-0138-90RS- Finial	2
17	FB-1100-90RS- Fascia Board	4
18	FR-0100-SQ- Door Block	2
19	FR-0879-SQ- Door Threshold	1
20	FR-1172-SQ- Purlin	4
21	FR-1637-SQ- Door Upright	2
22	TR-0491-BV2	14
23	TR-0990-BM38	14



OPTIONS:

Floor: **19mm T&G**

Roof: **11mm T&G**

Truss: **11mm T&G Heavy Duty**