

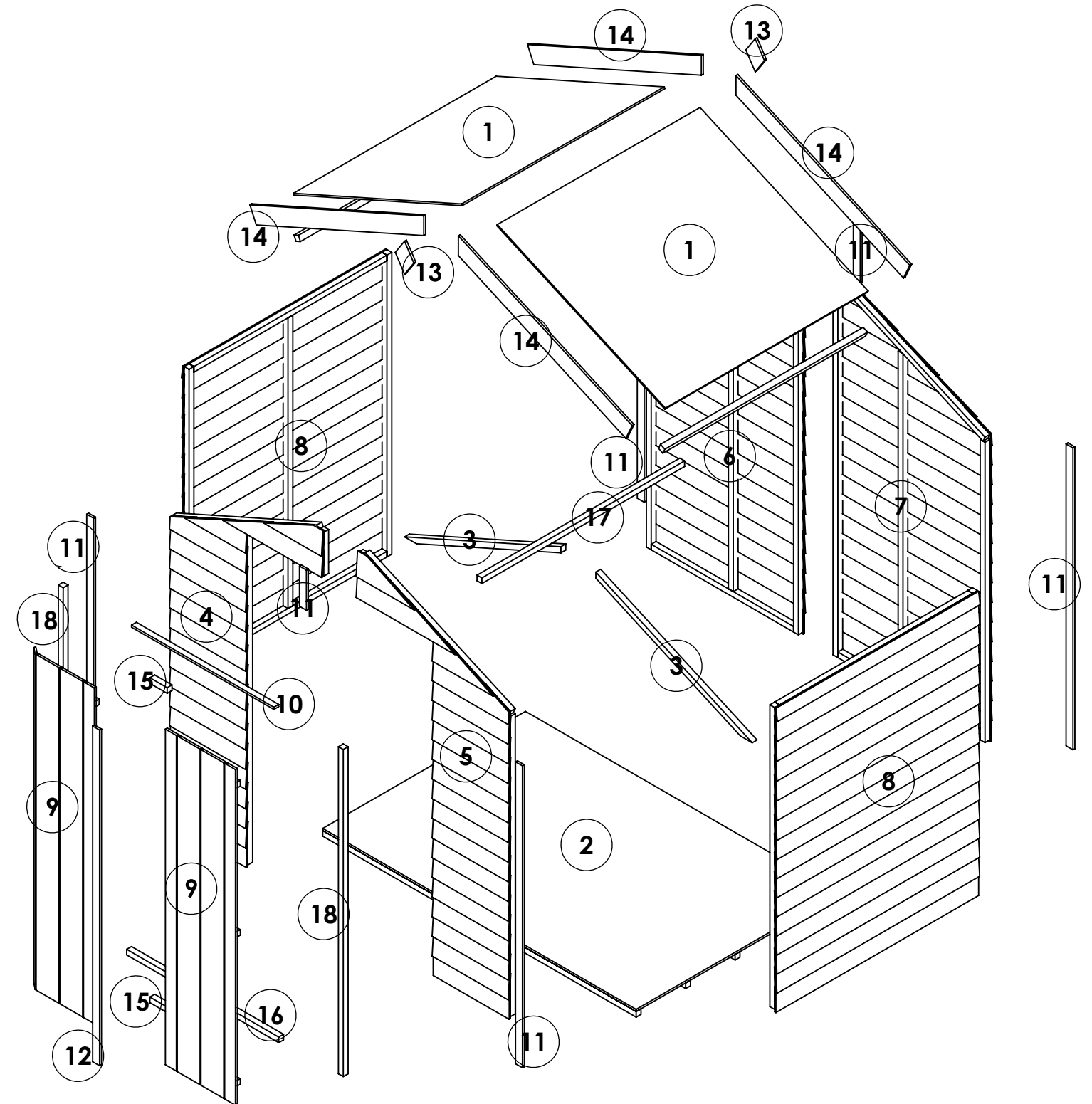
BillyOh Keeper Overlap  
Apex 6ft Gable  
Windowless Buildings  
Component Identification



For Queries and Help  
please call Product  
Support:  
01636 858377

# 4x6 Keeper Overlap Windowless Apex

ITEM NO.	Part Name - ID/Code - Name	QTY.
1	14428-Roof Apex 8mm SS W1.172xH1.064m	2
2	14589-Floor ASM Solid Sheet W1.172xH1.812m	1
3	25406-Roof Support 6ft Treated L0.99m<As Machined>	2
4	25415-Section OL 6ft Gable Door Left U1511 W0.879xH1.912m	1
5	25416-Section OL 6ft Gable Door Right U1511 W0.879xH1.912m	1
6	25417-Section OL 6ft Gable Plain Left U1511 W0.879xH1.912m	1
7	25418-Section OL 6ft Gable Plain Right U1511 W0.879xH1.912m	1
8	25424-Section OL 4ft Panel Plain U1511 W1.172xH1.523m	2
9	25436-Door Double 11mm TG W0.405xH1.680m	2
10	CL-0823-28RS- Door Head	1
11	CL-1511-40RS- Panel Cloak	7
12	CL-1680-40RS- Door Cloak	1
13	FB-0138-90RS- Finial	2
14	FB-1100-90RS- Fascia Board	4
15	FR-0100-SQ- Door Block	2
16	FR-0879-SQ- Door Threshold	1
17	FR-1172-SQ- Purlin	3
18	FR-1637-SQ- Door Upright	2

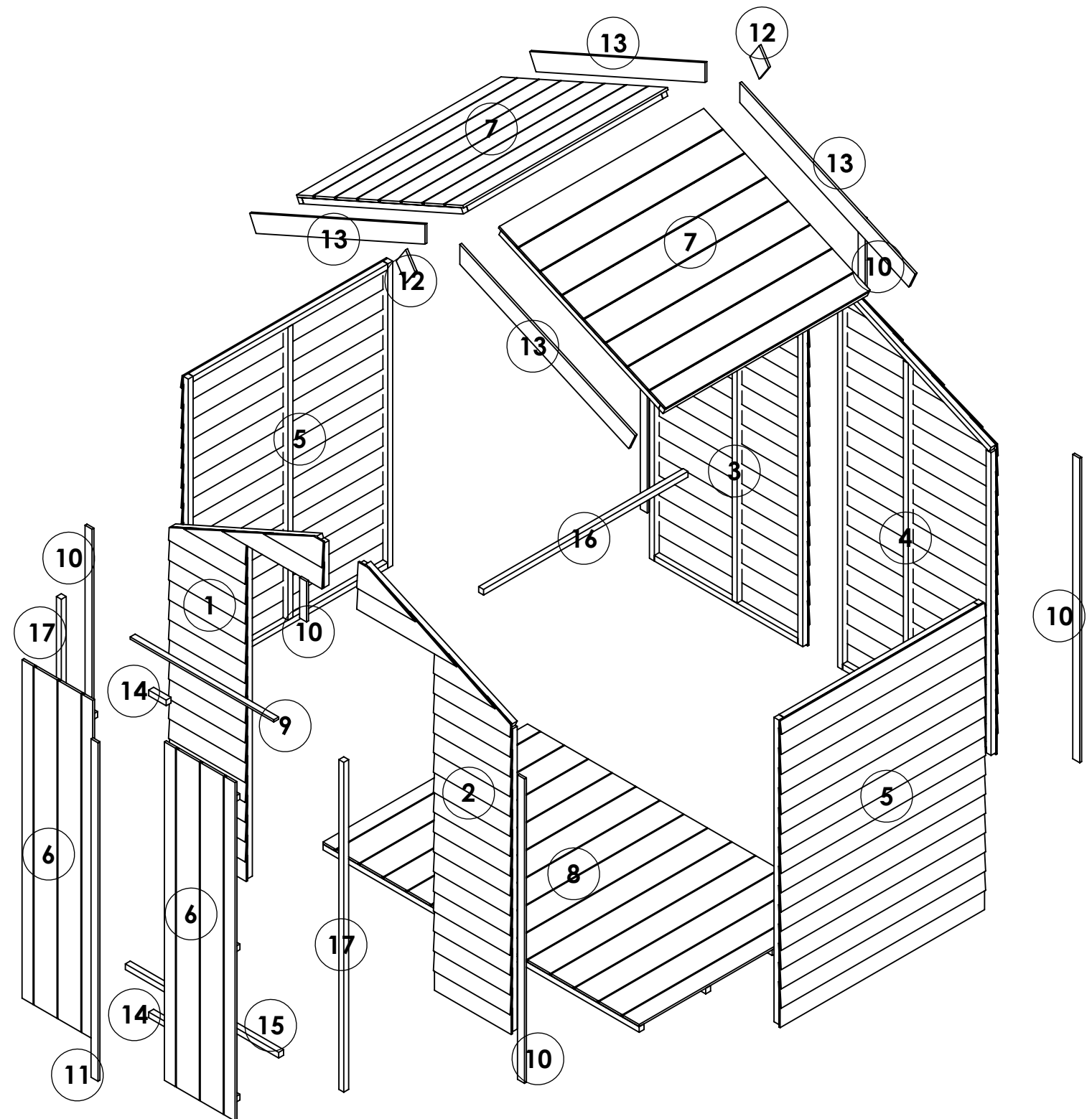


## OPTIONS:

Floor: Solid Sheet  
 Roof: Solid Sheet  
 Truss: Solid Sheet

# 4x6 Keeper Overlap Windowless Apex

ITEM NO.	Part Name - ID/Code - Name	QTY.
1	25415-Section OL 6ft Gable Door Left U1511 W0.879xH1.912m	1
2	25416-Section OL 6ft Gable Door Right U1511 W0.879xH1.912m	1
3	25417-Section OL 6ft Gable Plain Left U1511 W0.879xH1.912m	1
4	25418-Section OL 6ft Gable Plain Right U1511 W0.879xH1.912m	1
5	25424-Section OL 4ft Panel Plain U1511 W1.172xH1.523m	2
6	25436-Door Double 11mm TG W0.405xH1.680m	2
7	25440-Roof Apex 11mm TG W1.172xH1.044m	2
8	25451-Floor ASM 11mm TG W1.172xH1.812m	1
9	CL-0823-28RS- Door Head	1
10	CL-1511-40RS- Panel Cloak	7
11	CL-1680-40RS- Door Cloak	1
12	FB-0138-90RS- Finial	2
13	FB-1100-90RS- Fascia Board	4
14	FR-0100-SQ- Door Block	2
15	FR-0879-SQ- Door Threshold	1
16	FR-1172-SQ- Purlin	1
17	FR-1637-SQ- Door Upright	2



## OPTIONS:

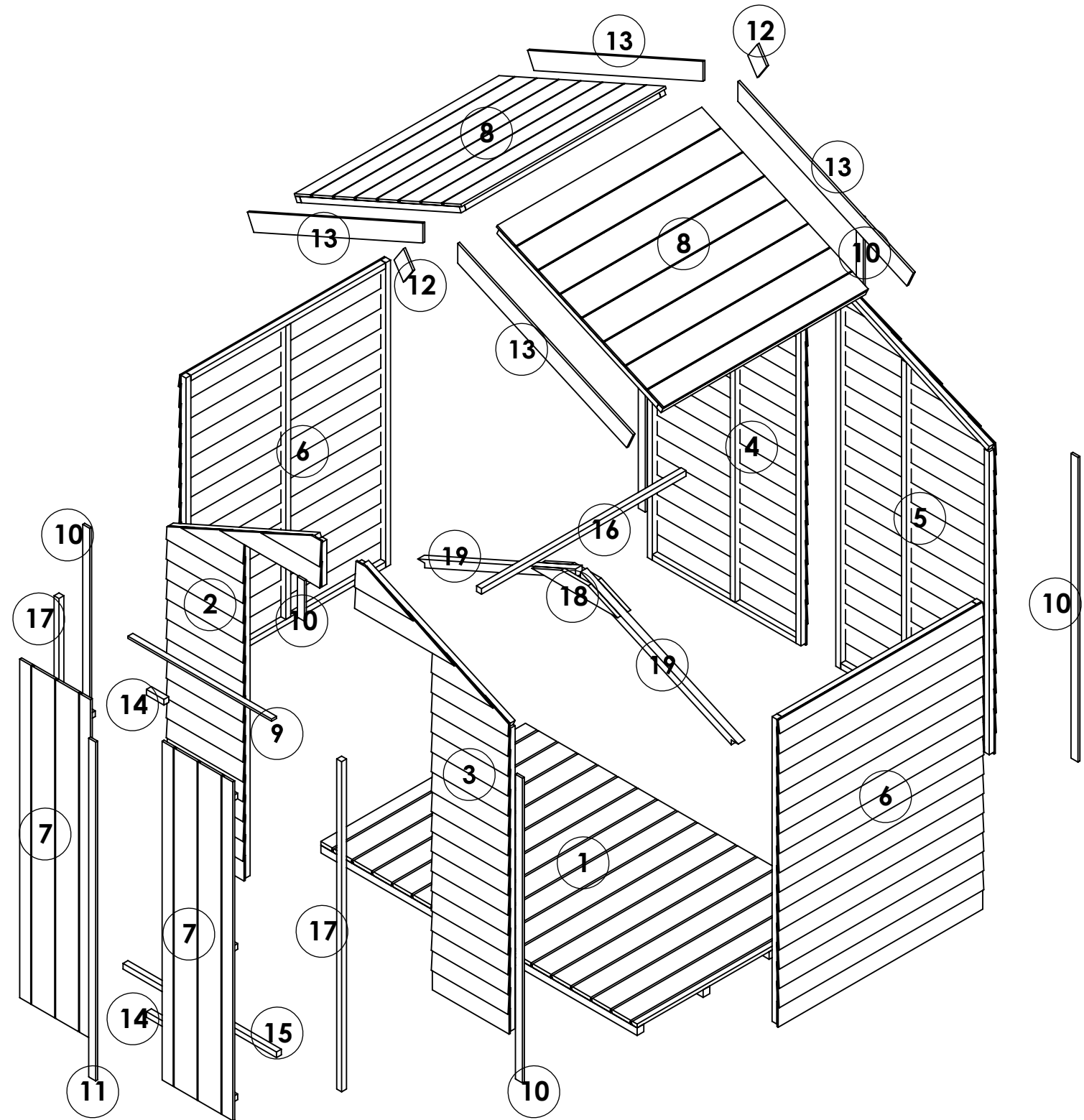
Floor: **11mm T&G**

Roof: **11mm T&G**

Truss: **11mm T&G**

# 4x6 Keeper Overlap Windowless Apex

ITEM NO.	Part Name - ID/Code - Name	QTY.
1	25410-Floor ASM 19mm TG W1.172xH1.812m	1
2	25415-Section OL 6ft Gable Door Left U1511 W0.879xH1.912m	1
3	25416-Section OL 6ft Gable Door Right U1511 W0.879xH1.912m	1
4	25417-Section OL 6ft Gable Plain Left U1511 W0.879xH1.912m	1
5	25418-Section OL 6ft Gable Plain Right U1511 W0.879xH1.912m	1
6	25424-Section OL 4ft Panel Plain U1511 W1.172xH1.523m	2
7	25436-Door Double 11mm TG W0.405xH1.680m	2
8	25440-Roof Apex 11mm TG W1.172xH1.044m	2
9	CL-0823-28RS- Door Head	1
10	CL-1511-40RS- Panel Cloak	7
11	CL-1680-40RS- Door Cloak	1
12	FB-0138-90RS- Finial	2
13	FB-1100-90RS- Fascia Board	4
14	FR-0100-SQ- Door Block	2
15	FR-0879-SQ- Door Threshold	1
16	FR-1172-SQ- Purlin	1
17	FR-1637-SQ- Door Upright	2
18	TR-0491-BV2	2
19	TR-0990-BM38	2



## OPTIONS:

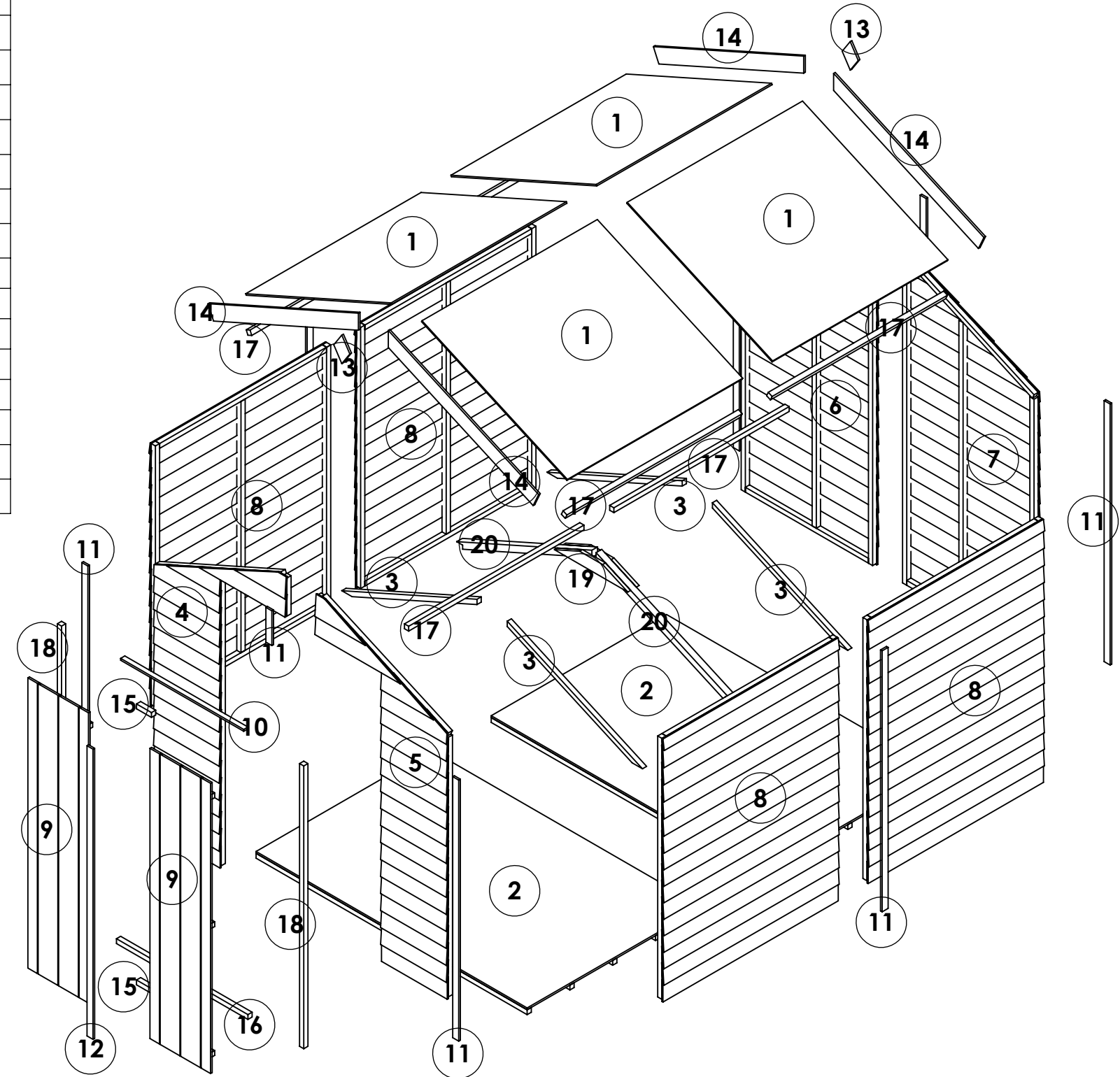
Floor: **19mm T&G**

Roof: **11mm T&G**

Truss: **11mm T&G Heavy Duty**

# 8x6 Keeper Overlap Windowless Apex

ITEM NO.	Part Name - ID/Code - Name	QTY.
1	14428-Roof Apex 8mm SS W1.172xH1.064m	4
2	14589-Floor ASM Solid Sheet W1.172xH1.812m	2
3	25406-Roof Support 6ft Treated L0.99m	4
4	25415-Section OL 6ft Gable Door Left U1511 W0.879xH1.912m	1
5	25416-Section OL 6ft Gable Door Right U1511 W0.879xH1.912m	1
6	25417-Section OL 6ft Gable Plain Left U1511 W0.879xH1.912m	1
7	25418-Section OL 6ft Gable Plain Right U1511 W0.879xH1.912m	1
8	25424-Section OL 4ft Panel Plain U1511 W1.172xH1.523m	4
9	25436-Door Double 11mm TG W0.405xH1.680m	2
10	CL-0823-28RS- Door Head	1
11	CL-1511-40RS- Panel Cloak	9
12	CL-1680-40RS- Door Cloak	1
13	FB-0138-90RS- Finial	2
14	FB-1100-90RS- Fascia Board	4
15	FR-0100-SQ- Door Block	2
16	FR-0879-SQ- Door Threshold	1
17	FR-1172-SQ- Purlin	6
18	FR-1637-SQ- Door Upright	2
19	TR-0491-BV2	2
20	TR-0990-BM38	2

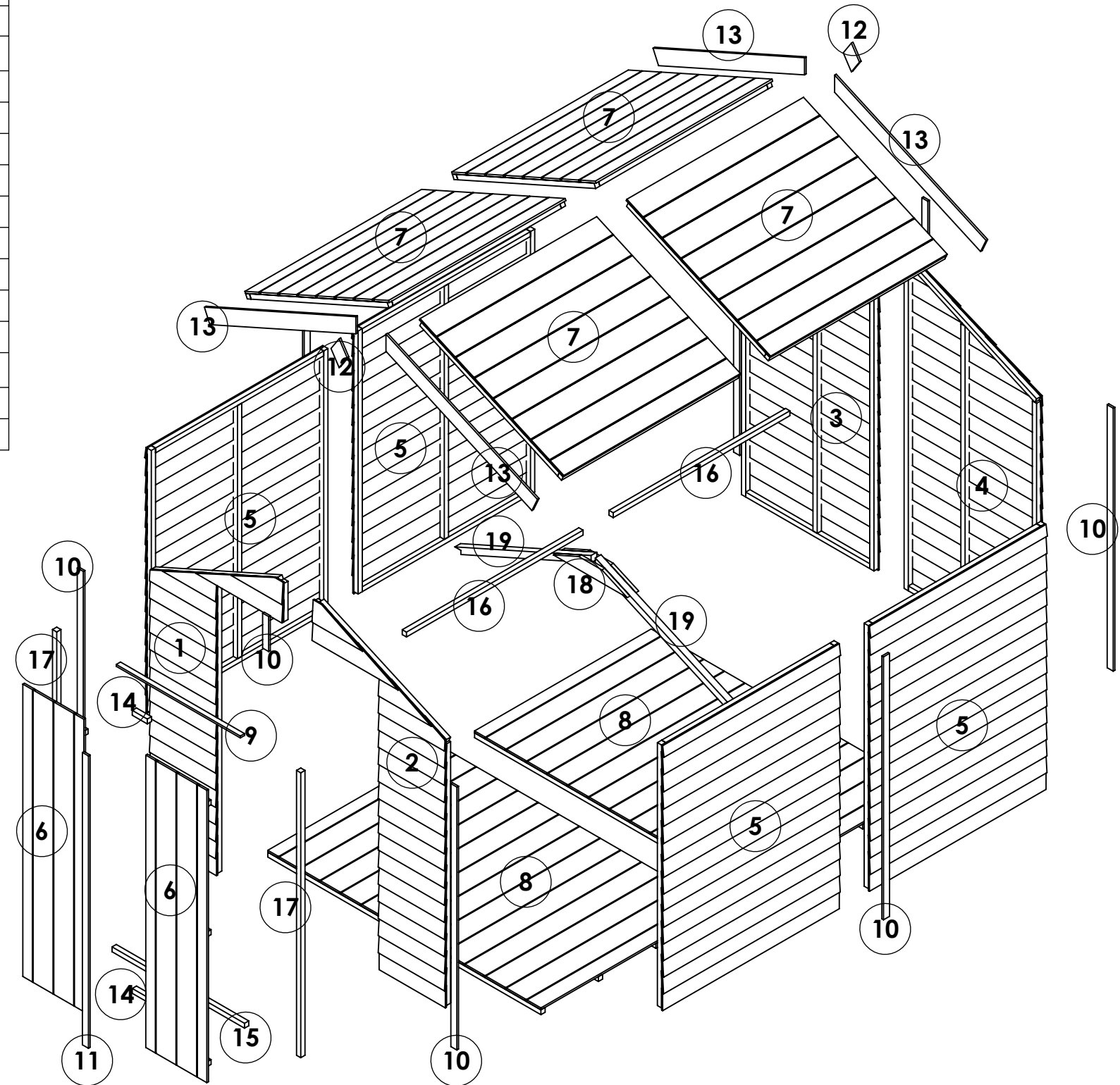


## OPTIONS:

Floor: Solid Sheet  
 Roof: Solid Sheet  
 Truss: Solid Sheet

# 8x6 Keeper Overlap Windowless Apex

ITEM NO.	Part Name - ID/Code - Name	QTY.
1	25415-Section OL 6ft Gable Door Left U1511 W0.879xH1.912m	1
2	25416-Section OL 6ft Gable Door Right U1511 W0.879xH1.912m	1
3	25417-Section OL 6ft Gable Plain Left U1511 W0.879xH1.912m	1
4	25418-Section OL 6ft Gable Plain Right U1511 W0.879xH1.912m	1
5	25424-Section OL 4ft Panel Plain U1511 W1.172xH1.523m	4
6	25436-Door Double 11mm TG W0.405xH1.680m	2
7	25440-Roof Apex 11mm TG W1.172xH1.044m	4
8	25451-Floor ASM 11mm TG W1.172xH1.812m	2
9	CL-0823-28RS- Door Head	1
10	CL-1511-40RS- Panel Cloak	9
11	CL-1680-40RS- Door Cloak	1
12	FB-0138-90RS- Finial	2
13	FB-1100-90RS- Fascia Board	4
14	FR-0100-SQ- Door Block	2
15	FR-0879-SQ- Door Threshold	1
16	FR-1172-SQ- Purlin	2
17	FR-1637-SQ- Door Upright	2
18	TR-0491-BV2	2
19	TR-0990-BM38	2

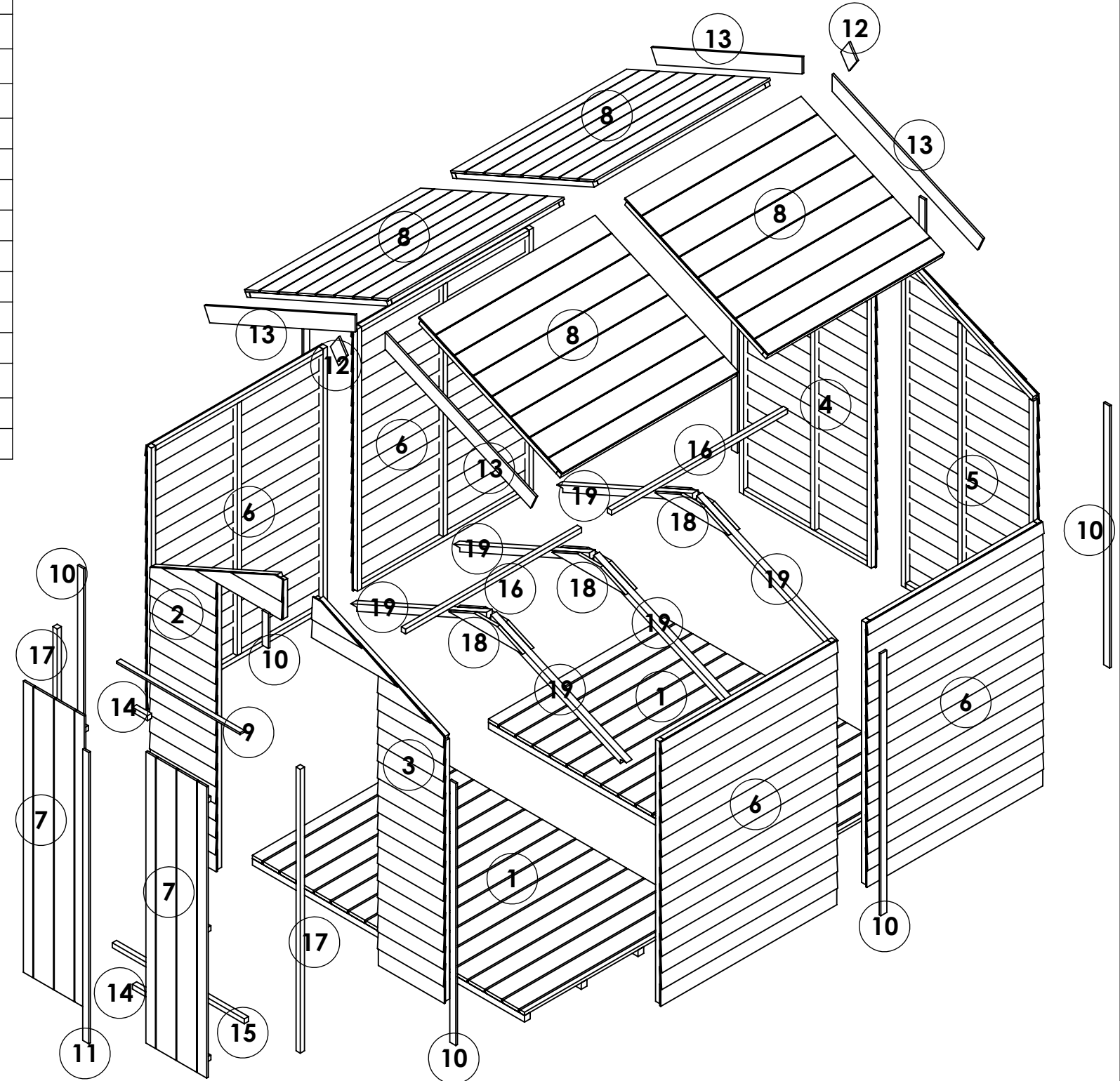


## OPTIONS:

Floor: 11mm T&G  
 Roof: 11mm T&G  
 Truss: 11mm T&G

# 8x6 Keeper Overlap Windowless Apex

ITEM NO.	Part Name - ID/Code - Name	QTY.
1	25410-Floor ASM 19mm TG W1.172xH1.812m	2
2	25415-Section OL 6ft Gable Door Left U1511 W0.879xH1.912m	1
3	25416-Section OL 6ft Gable Door Right U1511 W0.879xH1.912m	1
4	25417-Section OL 6ft Gable Plain Left U1511 W0.879xH1.912m	1
5	25418-Section OL 6ft Gable Plain Right U1511 W0.879xH1.912m	1
6	25424-Section OL 4ft Panel Plain U1511 W1.172xH1.523m	4
7	25436-Door Double 11mm TG W0.405xH1.680m	2
8	25440-Roof Apex 11mm TG W1.172xH1.044m	4
9	CL-0823-28RS- Door Head	1
10	CL-1511-40RS- Panel Cloak	9
11	CL-1680-40RS- Door Cloak	1
12	FB-0138-90RS- Finial	2
13	FB-1100-90RS- Fascia Board	4
14	FR-0100-SQ- Door Block	2
15	FR-0879-SQ- Door Threshold	1
16	FR-1172-SQ- Purli	2
17	FR-1637-SQ- Door Upright	2
18	TR-0491-BV2	6
19	TR-0990-BM38	6



## OPTIONS:

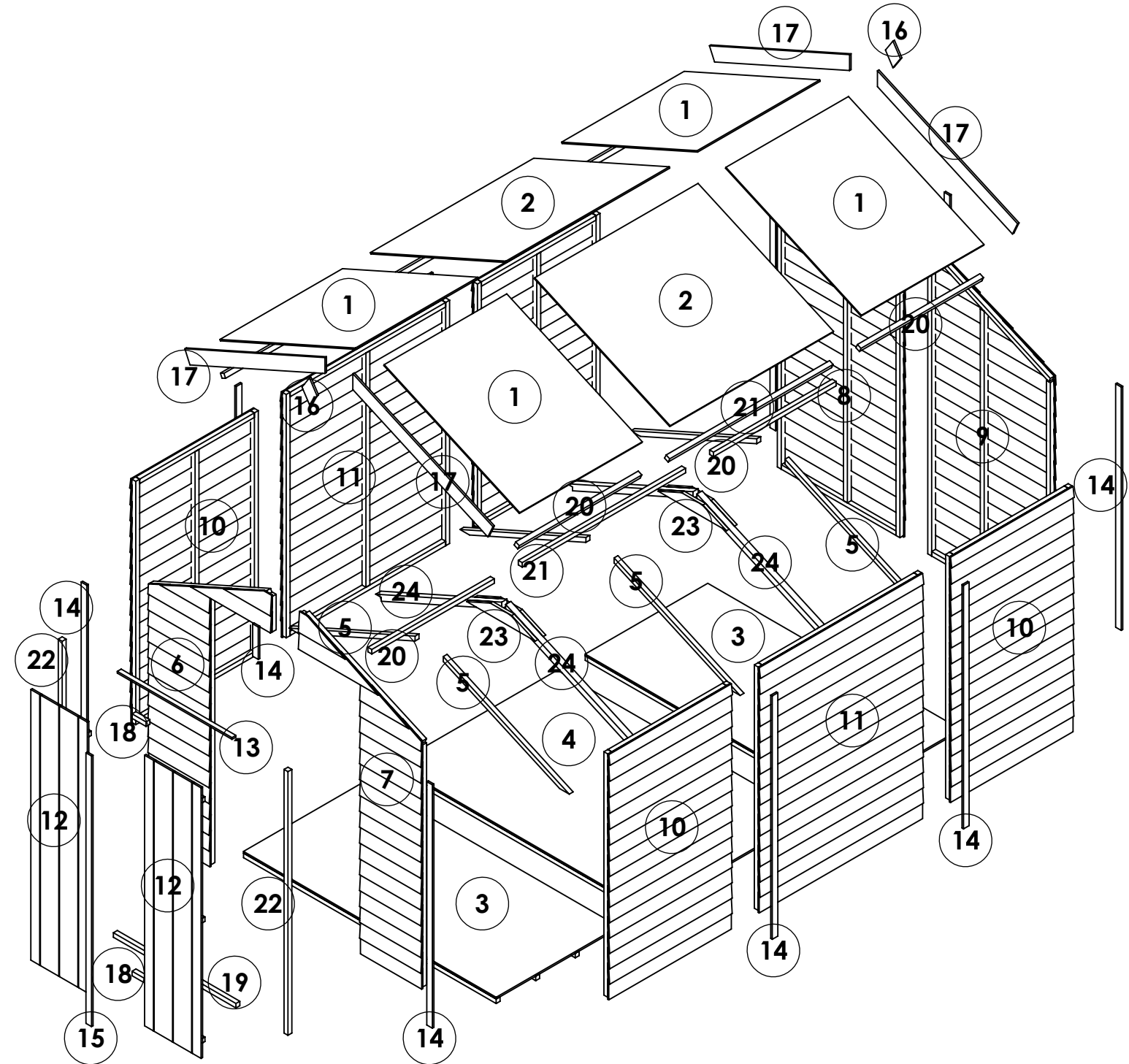
Floor: 19mm T&G

Roof: 11mm T&G

Truss: 11mm T&G Heavy Duty

# 10x6 Keeper Overlap Windowless Apex

ITEM NO.	Part Name - ID/Code - Name	QTY.
1	14427-Roof Apex 8mm SS W0.879xH1.064m	4
2	14428-Roof Apex 8mm SS W1.172xH1.064m	2
3	14588-Floor ASM Solid Sheet W0.879xH1.812m	2
4	14589-Floor ASM Solid Sheet W1.172xH1.812m	1
5	25406-Roof Support 6ft Treated L0.99m	6
6	25415-Section OL 6ft Gable Door Left U1511 W0.879xH1.912m	1
7	25416-Section OL 6ft Gable Door Right U1511 W0.879xH1.912m	1
8	25417-Section OL 6ft Gable Plain Left U1511 W0.879xH1.912m	1
9	25418-Section OL 6ft Gable Plain Right U1511 W0.879xH1.912m	1
10	25423-Section OL 3ft Panel Plain U1511 W0.879xH1.523m	4
11	25424-Section OL 4ft Panel Plain U1511 W1.172xH1.523m	2
12	25436-Door Double 11mm TG W0.405xH1.680m	2
13	CL-0823-28RS- Door Head	1
14	CL-1511-40RS- Panel Cloak	11
15	CL-1680-40RS- Door Cloak	1
16	FB-0138-90RS- Finial	2
17	FB-1100-90RS- Fascia Board	4
18	FR-0100-SQ- Door Block	2
19	FR-0879-SQ- Door Threshold	1
20	FR-0879-SQ- Purlin	6
21	FR-1172-SQ- Purlin	3
22	FR-1637-SQ- Door Upright	2
23	TR-0491-BV2	4
24	TR-0990-BM38	4



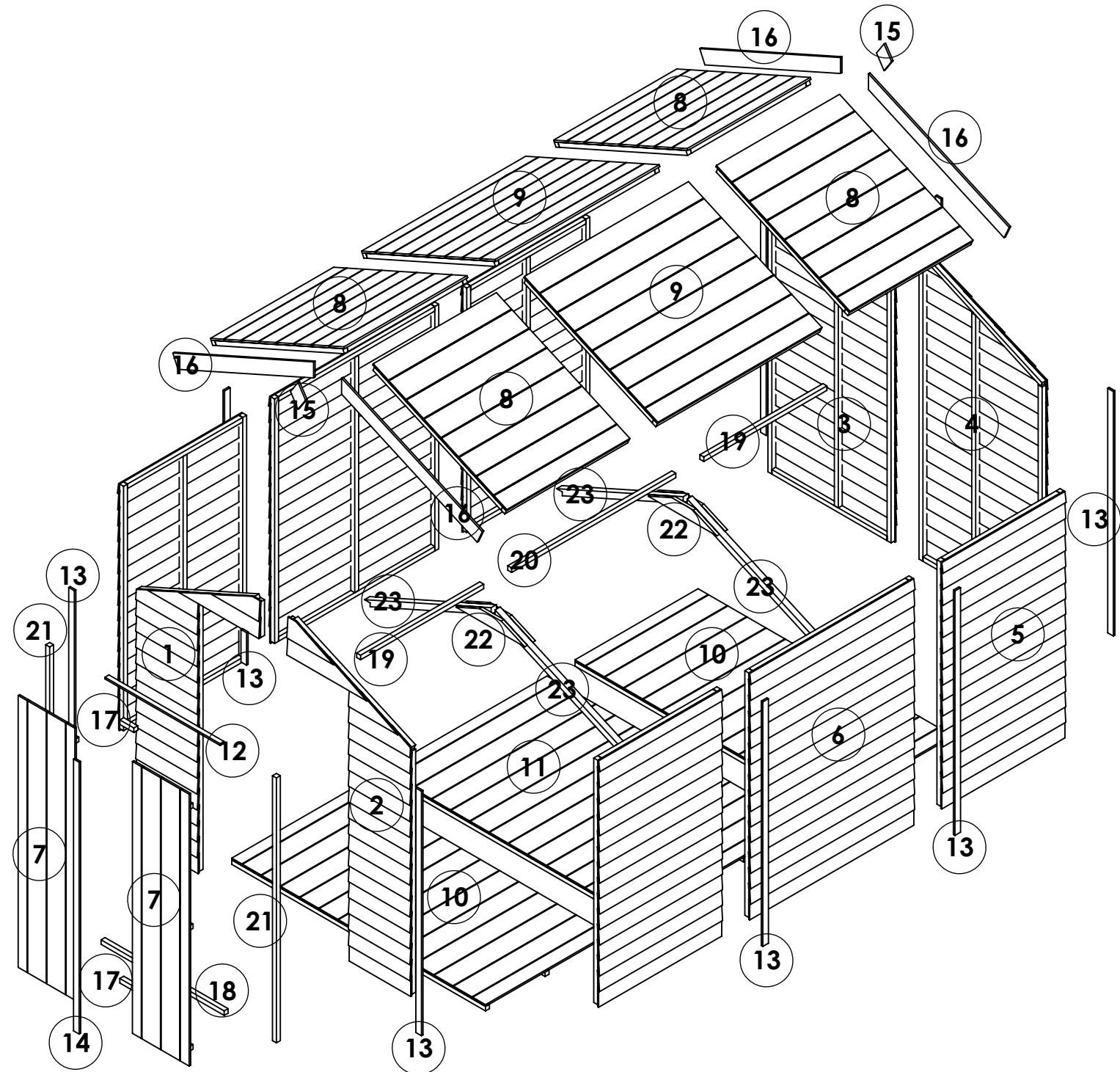
## OPTIONS:

Floor: Solid Sheet  
 Roof: Solid Sheet  
 Truss: Solid Sheet



# 10x6 Keeper Overlap Windowless Apex

ITEM NO.	Part Name - ID/Code - Name	QTY.
1	25415-Section OL 6ft Gable Door Left U1511 W0.879xH1.912m	1
2	25416-Section OL 6ft Gable Door Right U1511 W0.879xH1.912m	1
3	25417-Section OL 6ft Gable Plain Left U1511 W0.879xH1.912m	1
4	25418-Section OL 6ft Gable Plain Right U1511 W0.879xH1.912m	1
5	25423-Section OL 3ft Panel Plain U1511 W0.879xH1.523m	4
6	25424-Section OL 4ft Panel Plain U1511 W1.172xH1.523m	2
7	25436-Door Double 11mm TG W0.405xH1.680m	2
8	25439-Roof Apex 11mm TG W0.879xH1.044m	4
9	25440-Roof Apex 11mm TG W1.172xH1.044m	2
10	25450-Floor ASM 11mm TG W0.879xH1.812m	2
11	25451-Floor ASM 11mm TG W1.172xH1.812m	1
12	CL-0823-28RS- Door Head	1
13	CL-1511-40RS- Panel Cloak	11
14	CL-1680-40RS- Door Cloak	1
15	FB-0138-90RS- Finial	2
16	FB-1100-90RS- Fascia Board	4
17	FR-0100-SQ- Door Block	2
18	FR-0879-SQ- Door Threshold	1
19	FR-0879-SQ- Purlin	2
20	FR-1172-SQ- Purlin	1
21	FR-1637-SQ- Door Upright	2
22	TR-0491-BV2	4
23	TR-0990-BM38	4

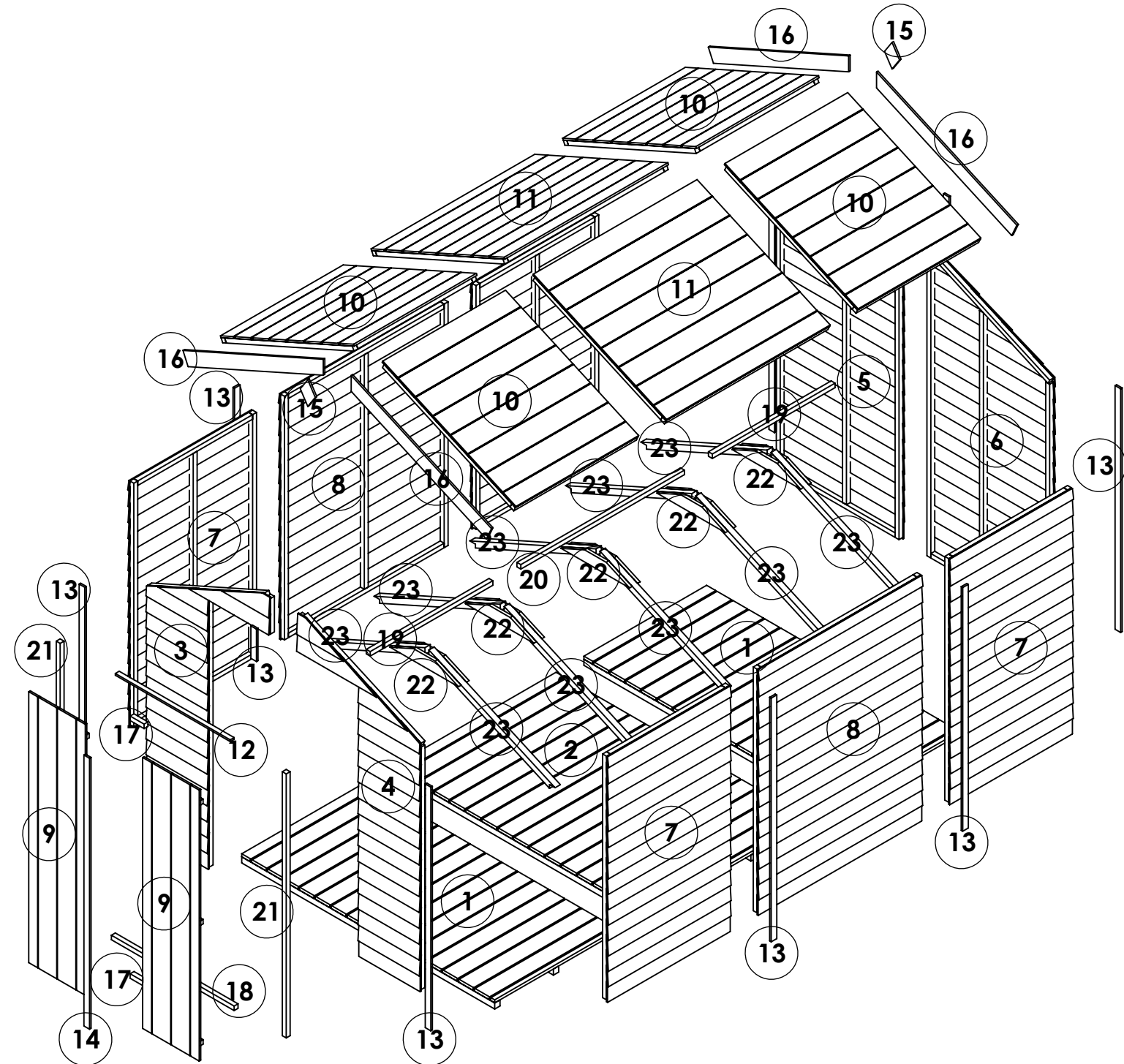


## OPTIONS:

Floor: **11mm T&G**  
 Roof: **11mm T&G**  
 Truss: **11mm T&G**

# 10x6 Keeper Overlap Windowless Apex

ITEM NO.	Part Name - ID/Code - Name	QTY.
1	25409-Floor ASM 19mm TG W0.879xH1.812m	2
2	25410-Floor ASM 19mm TG W1.172xH1.812m	1
3	25415-Section OL 6ft Gable Door Left U1511 W0.879xH1.912m	1
4	25416-Section OL 6ft Gable Door Right U1511 W0.879xH1.912m	1
5	25417-Section OL 6ft Gable Plain Left U1511 W0.879xH1.912m	1
6	25418-Section OL 6ft Gable Plain Right U1511 W0.879xH1.912m	1
7	25423-Section OL 3ft Panel Plain U1511 W0.879xH1.523m	4
8	25424-Section OL 4ft Panel Plain U1511 W1.172xH1.523m	2
9	25436-Door Double 11mm TG W0.405xH1.680m	2
10	25439-Roof Apex 11mm TG W0.879xH1.044m	4
11	25440-Roof Apex 11mm TG W1.172xH1.044m	2
12	CL-0823-28RS- Door Head	1
13	CL-1511-40RS- Panel Cloak	11
14	CL-1680-40RS- Door Cloak	1
15	FB-0138-90RS- Finial	2
16	FB-1100-90RS- Fascia Board	4
17	FR-0100-SQ- Door Block	2
18	FR-0879-SQ- Door Threshold	1
19	FR-0879-SQ- Purlin	2
20	FR-1172-SQ- Purlin	1
21	FR-1637-SQ- Door Upright	2
22	TR-0491-BV2	10
23	TR-0990-BM38	10



## OPTIONS:

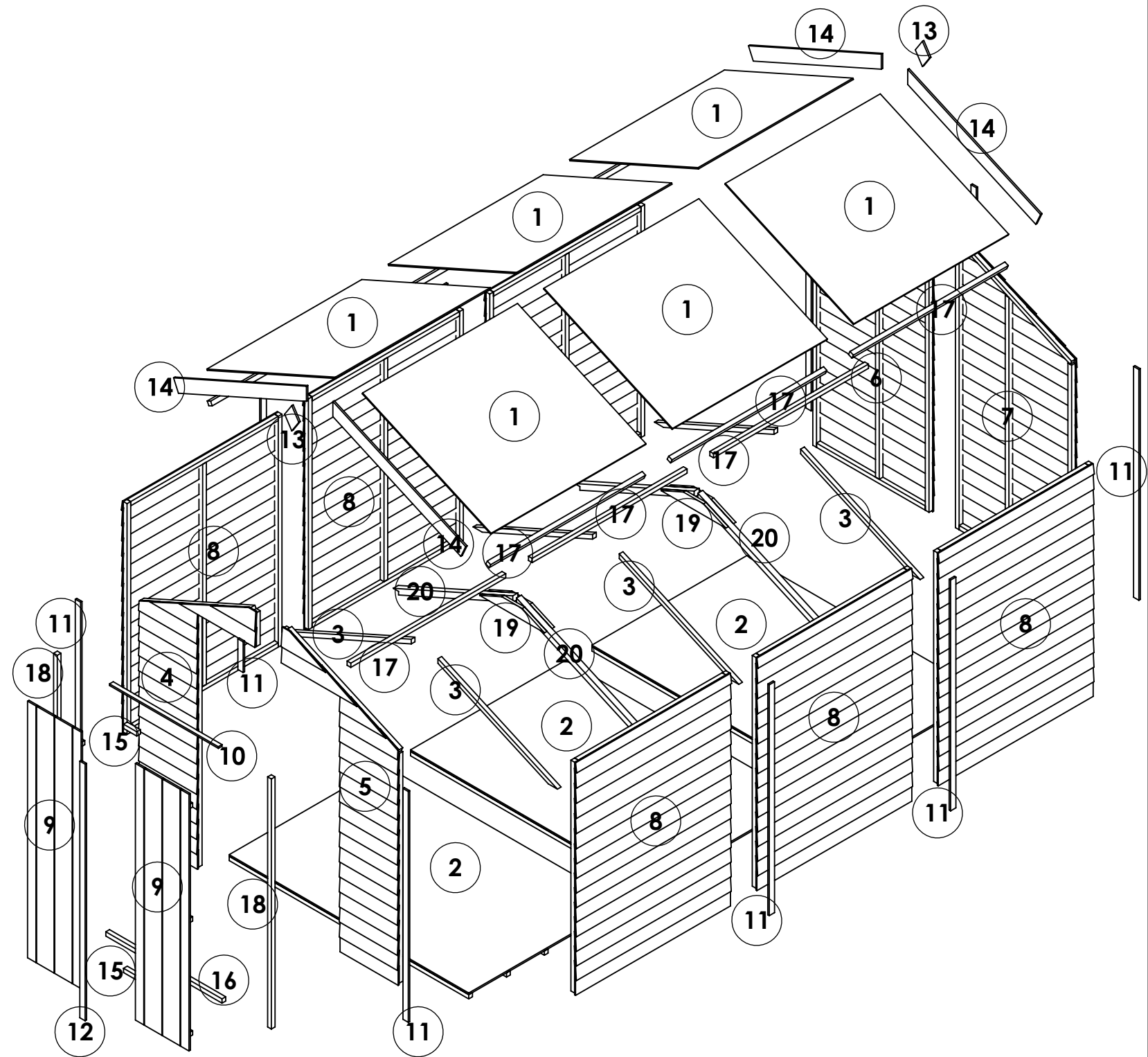
Floor: **19mm T&G**

Roof: **11mm T&G**

Truss: **11mm T&G Heavy Duty**

# 12x6 Keeper Overlap Windowless Apex

ITEM NO.	Part Name - ID/Code - Name	QTY.
1	14428-Roof Apex 8mm SS W1.172xH1.064m	6
2	14589-Floor ASM Solid Sheet W1.172xH1.812m	3
3	25406-Roof Support 6ft Treated L0.99m	6
4	25415-Section OL 6ft Gable Door Left U1511 W0.879xH1.912m	1
5	25416-Section OL 6ft Gable Door Right U1511 W0.879xH1.912m	1
6	25417-Section OL 6ft Gable Plain Left U1511 W0.879xH1.912m	1
7	25418-Section OL 6ft Gable Plain Right U1511 W0.879xH1.912m	1
8	25424-Section OL 4ft Panel Plain U1511 W1.172xH1.523m	6
9	25436-Door Double 11mm TG W0.405xH1.680m	2
10	CL-0823-28RS- Door Head	1
11	CL-1511-40RS- Panel Cloak	11
12	CL-1680-40RS- Door Cloak	1
13	FB-0138-90RS- Finial	2
14	FB-1100-90RS- Fascia Board	4
15	FR-0100-SQ- Door Block	2
16	FR-0879-SQ- Door Threshold	1
17	FR-1172-SQ- Purlin	9
18	FR-1637-SQ- Door Upright	2
19	TR-0491-BV2	4
20	TR-0990-BM38	4

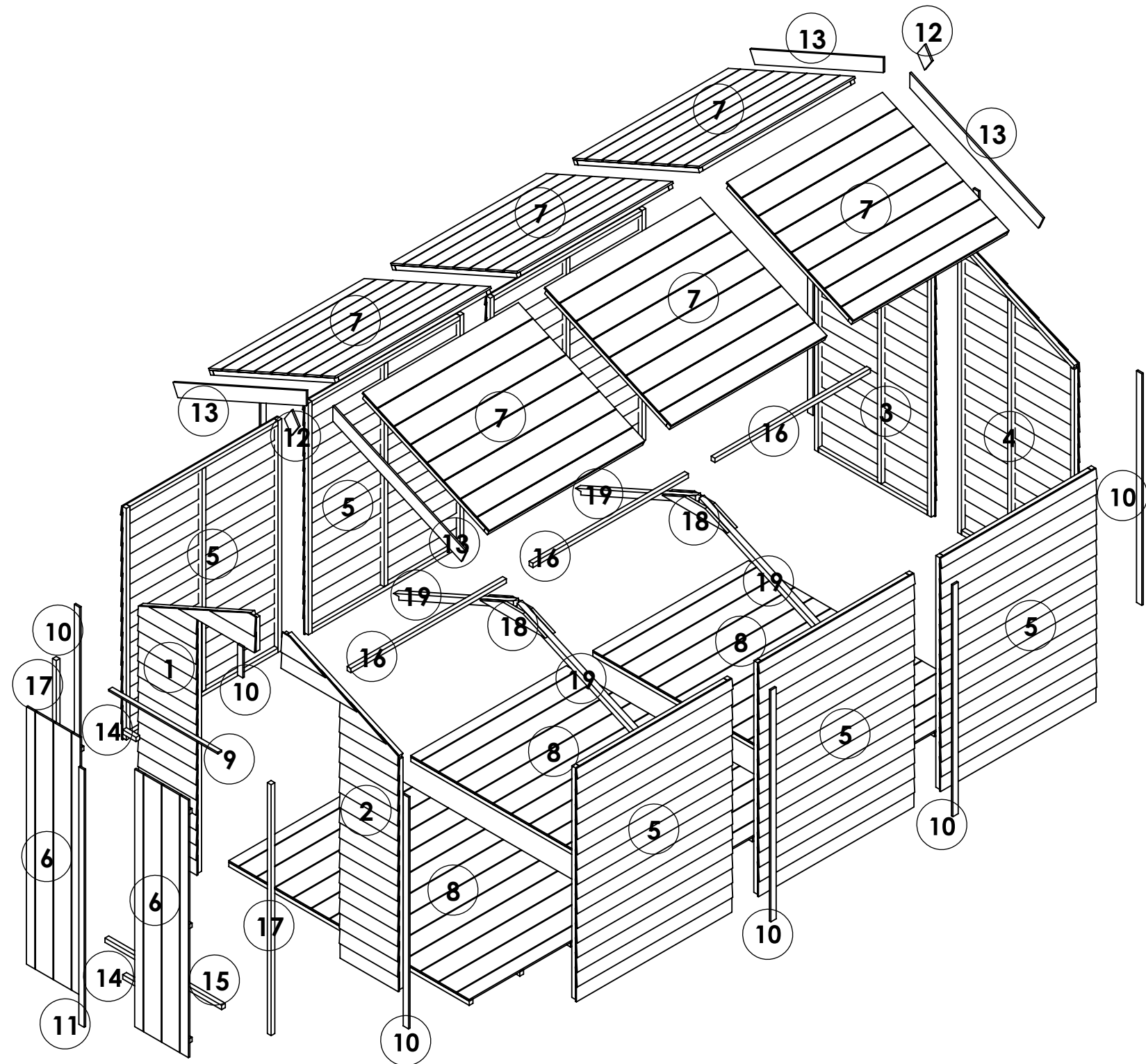


## OPTIONS:

Floor: Solid Sheet  
 Roof: Solid Sheet  
 Truss: Solid Sheet

# 12x6 Keeper Overlap Windowless Apex

ITEM NO.	Part Name - ID/Code - Name	QTY.
1	25415-Section OL 6ft Gable Door Left U1511 W0.879xH1.912m	1
2	25416-Section OL 6ft Gable Door Right U1511 W0.879xH1.912m	1
3	25417-Section OL 6ft Gable Plain Left U1511 W0.879xH1.912m	1
4	25418-Section OL 6ft Gable Plain Right U1511 W0.879xH1.912m	1
5	25424-Section OL 4ft Panel Plain U1511 W1.172xH1.523m	6
6	25436-Door Double 11mm TG W0.405xH1.680m	2
7	25440-Roof Apex 11mm TG W1.172xH1.044m	6
8	25451-Floor ASM 11mm TG W1.172xH1.812m	3
9	CL-0823-28RS- Door Head	1
10	CL-1511-40RS- Panel Cloak	11
11	CL-1680-40RS- Door Cloak	1
12	FB-0138-90RS- Finial	2
13	FB-1100-90RS- Fascia Board	4
14	FR-0100-SQ- Door Block	2
15	FR-0879-SQ- Door Threshold	1
16	FR-1172-SQ- Purlin	3
17	FR-1637-SQ- Door Upright	2
18	TR-0491-BV2	4
19	TR-0990-BM38	4



## OPTIONS:

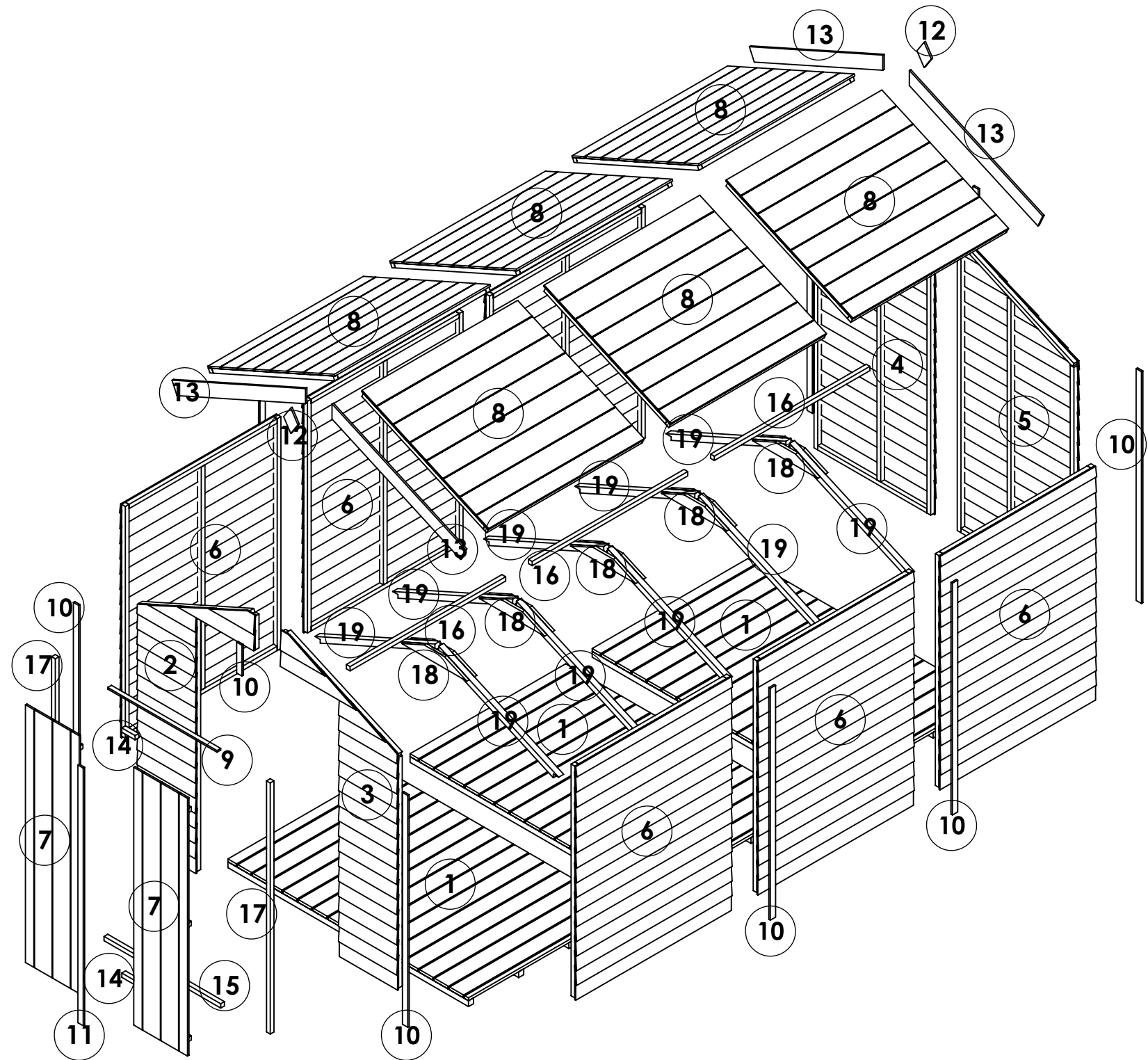
Floor: **11mm T&G**

Roof: **11mm T&G**

Truss: **11mm T&G**

# 12x6 Keeper Overlap Windowless Apex

ITEM NO.	Part Name - ID/Code - Name	QTY.
1	25410-Floor ASM 19mm TG W1.172xH1.812m	3
2	25415-Section OL 6ft Gable Door Left U1511 W0.879xH1.912m	1
3	25416-Section OL 6ft Gable Door Right U1511 W0.879xH1.912m	1
4	25417-Section OL 6ft Gable Plain Left U1511 W0.879xH1.912m	1
5	25418-Section OL 6ft Gable Plain Right U1511 W0.879xH1.912m	1
6	25424-Section OL 4ft Panel Plain U1511 W1.172xH1.523m	6
7	25436-Door Double 11mm TG W0.405xH1.680m	2
8	25440-Roof Apex 11mm TG W1.172xH1.044m	6
9	CL-0823-28RS- Door Head	1
10	CL-1511-40RS- Panel Cloak	11
11	CL-1680-40RS- Door Cloak	1
12	FB-0138-90RS- Finial	2
13	FB-1100-90RS- Fascia Board	4
14	FR-0100-SQ- Door Block	2
15	FR-0879-SQ- Door Threshold	1
16	FR-1172-SQ- Purlin	3
17	FR-1637-SQ- Door Upright	2
18	TR-0491-BV2	10
19	TR-0990-BM38	10



## OPTIONS:

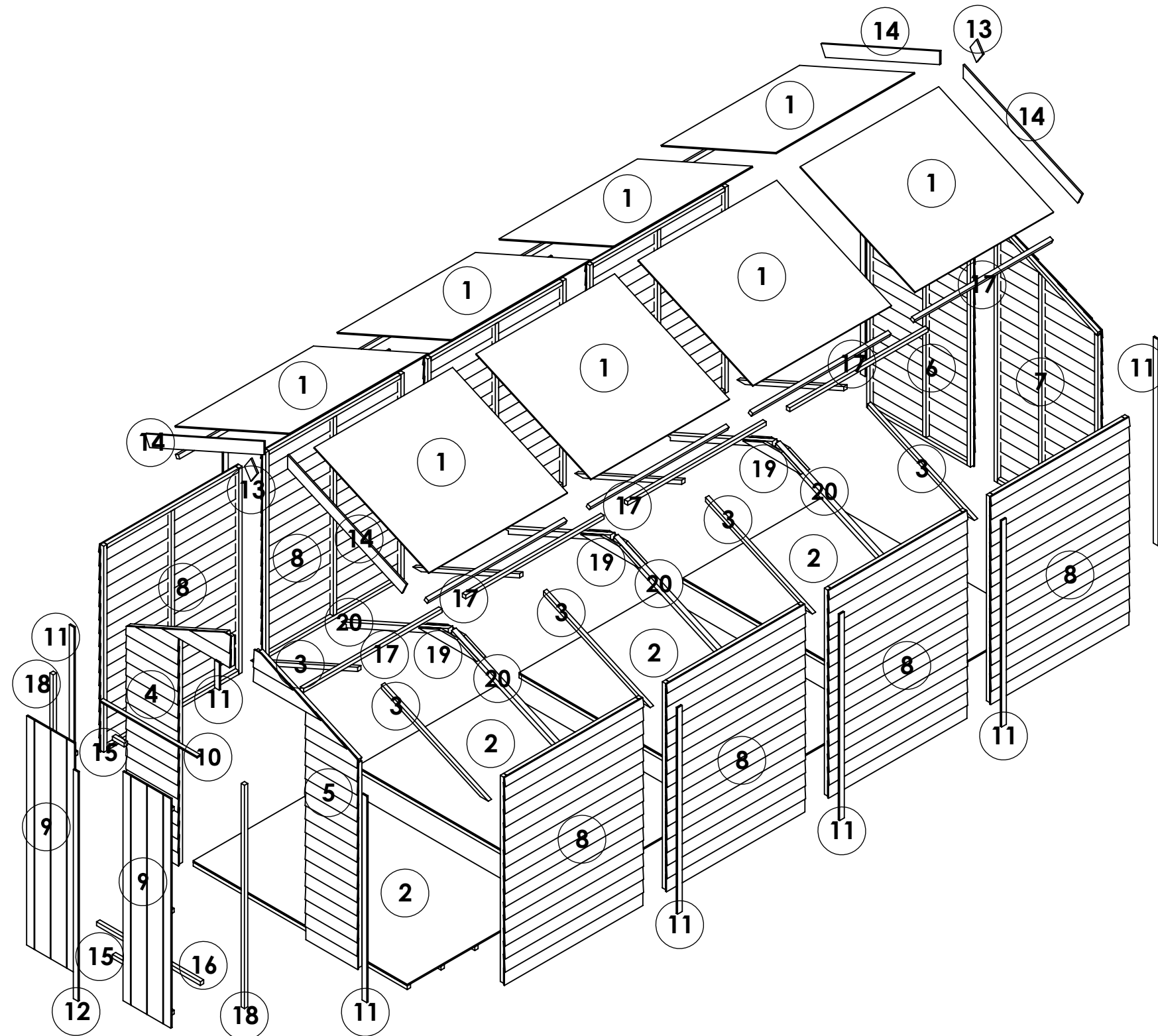
Floor: **19mm T&G**

Roof: **11mm T&G**

Truss: **11mm T&G Heavy Duty**

# 16x6 Keeper Overlap Windowless Apex

ITEM NO.	Part Name - ID/Code - Name	QTY.
1	14428-Roof Apex 8mm SS W1.172xH1.064m	8
2	14589-Floor ASM Solid Sheet W1.172xH1.812m	4
3	25406-Roof Support 6ft Treated L0.99m	8
4	25415-Section OL 6ft Gable Door Left U1511 W0.879xH1.912m	1
5	25416-Section OL 6ft Gable Door Right U1511 W0.879xH1.912m	1
6	25417-Section OL 6ft Gable Plain Left U1511 W0.879xH1.912m	1
7	25418-Section OL 6ft Gable Plain Right U1511 W0.879xH1.912m	1
8	25424-Section OL 4ft Panel Plain U1511 W1.172xH1.523m	8
9	25436-Door Double 11mm TG W0.405xH1.680m	2
10	CL-0823-28RS- Door Head	1
11	CL-1511-40RS- Panel Cloak	13
12	CL-1680-40RS- Door Cloak	1
13	FB-0138-90RS- Finial	2
14	FB-1100-90RS- Fascia Board	4
15	FR-0100-SQ- Door Block	2
16	FR-0879-SQ- Door Threshold	1
17	FR-1172-SQ- Purlin	12
18	FR-1637-SQ- Door Upright	2
19	TR-0491-BV2	6
20	TR-0990-BM38	6

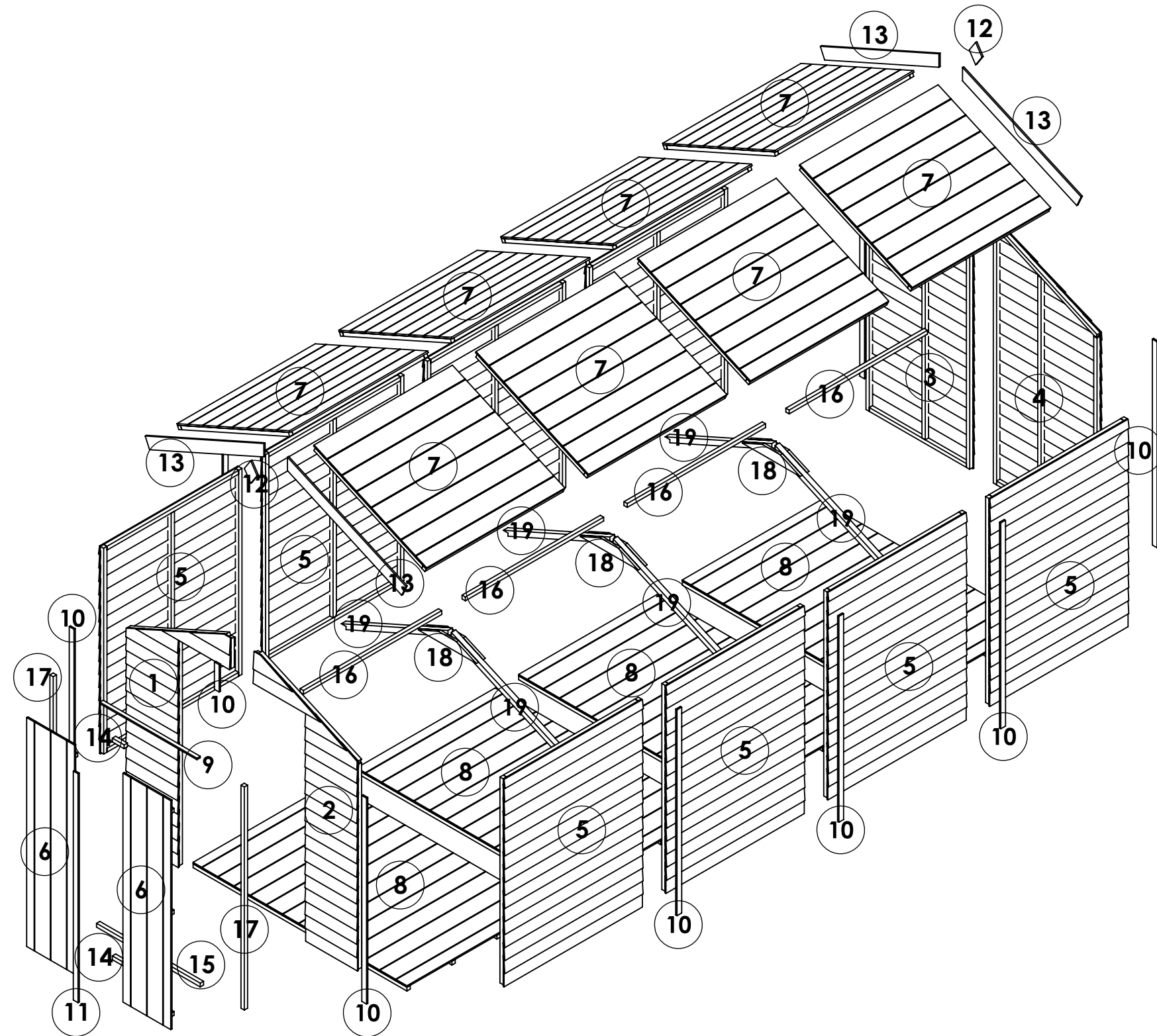


## OPTIONS:

Floor: Solid Sheet  
 Roof: Solid Sheet  
 Truss: Solid Sheet

# 16x6 Keeper Overlap Windowless Apex

ITEM NO.	Part Name - ID/Code - Name	QTY.
1	25415-Section OL 6ft Gable Door Left U1511 W0.879xH1.912m	1
2	25416-Section OL 6ft Gable Door Right U1511 W0.879xH1.912m	1
3	25417-Section OL 6ft Gable Plain Left U1511 W0.879xH1.912m	1
4	25418-Section OL 6ft Gable Plain Right U1511 W0.879xH1.912m	1
5	25424-Section OL 4ft Panel Plain U1511 W1.172xH1.523m	8
6	25436-Door Double 11mm TG W0.405xH1.680m	2
7	25440-Roof Apex 11mm TG W1.172xH1.044m	8
8	25451-Floor ASM 11mm TG W1.172xH1.812m	4
9	CL-0823-28RS- Door Head	1
10	CL-1511-40RS- Panel Cloak	13
11	CL-1680-40RS- Door Cloak	1
12	FB-0138-90RS- Finial	2
13	FB-1100-90RS- Fascia Board	4
14	FR-0100-SQ- Door Block	2
15	FR-0879-SQ- Door Threshold	1
16	FR-1172-SQ- Purlin	4
17	FR-1637-SQ- Door Upright	2
18	TR-0491-BV2	6
19	TR-0990-BM38	6



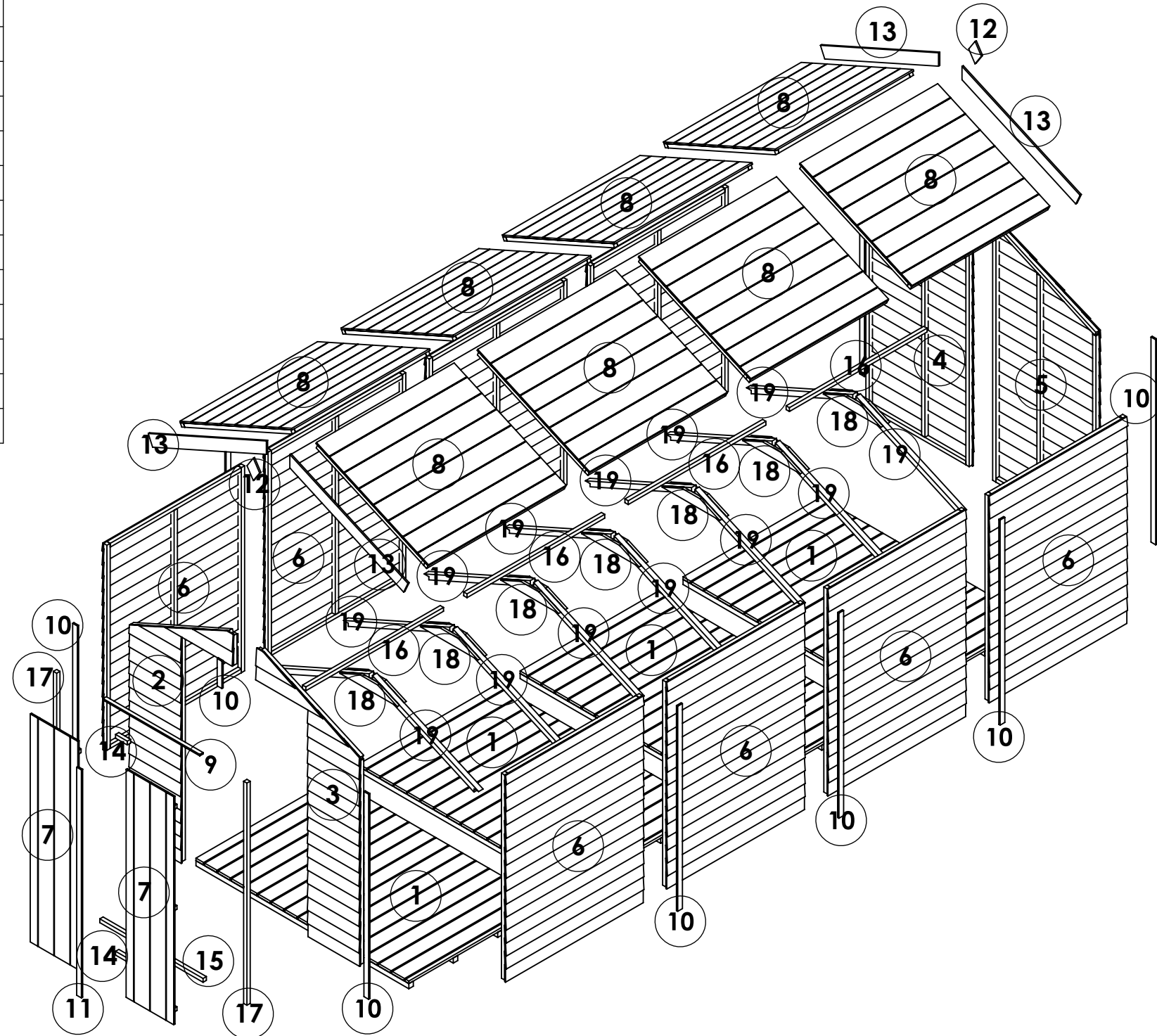
## OPTIONS:

Floor: **11mm T&G**  
 Roof: **11mm T&G**  
 Truss: **11mm T&G**



# 16x6 Keeper Overlap Windowless Apex

ITEM NO.	Part Name - ID/Code - Name	QTY.
1	25410-Floor ASM 19mm TG W1.172xH1.812m	4
2	25415-Section OL 6ft Gable Door Left U1511 W0.879xH1.912m	1
3	25416-Section OL 6ft Gable Door Right U1511 W0.879xH1.912m	1
4	25417-Section OL 6ft Gable Plain Left U1511 W0.879xH1.912m	1
5	25418-Section OL 6ft Gable Plain Right U1511 W0.879xH1.912m	1
6	25424-Section OL 4ft Panel Plain U1511 W1.172xH1.523m	8
7	25436-Door Double 11mm TG W0.405xH1.680m	2
8	25440-Roof Apex 11mm TG W1.172xH1.044m	8
9	CL-0823-28RS- Door Head	1
10	CL-1511-40RS- Panel Cloak	13
11	CL-1680-40RS- Door Cloak	1
12	FB-0138-90RS- Finial	2
13	FB-1100-90RS- Fascia Board	4
14	FR-0100-SQ- Door Block	2
15	FR-0879-SQ- Door Threshold	1
16	FR-1172-SQ- Purlin	4
17	FR-1637-SQ- Door Uprigh	2
18	TR-0491-BV2	14
19	TR-0990-BM38	14



## OPTIONS:

Floor: **19mm T&G**

Roof: **11mm T&G**

Truss: **11mm T&G Heavy Duty**